

MEDIUM PRESSURE 20-40 BAR REPLACEMENT PARTS

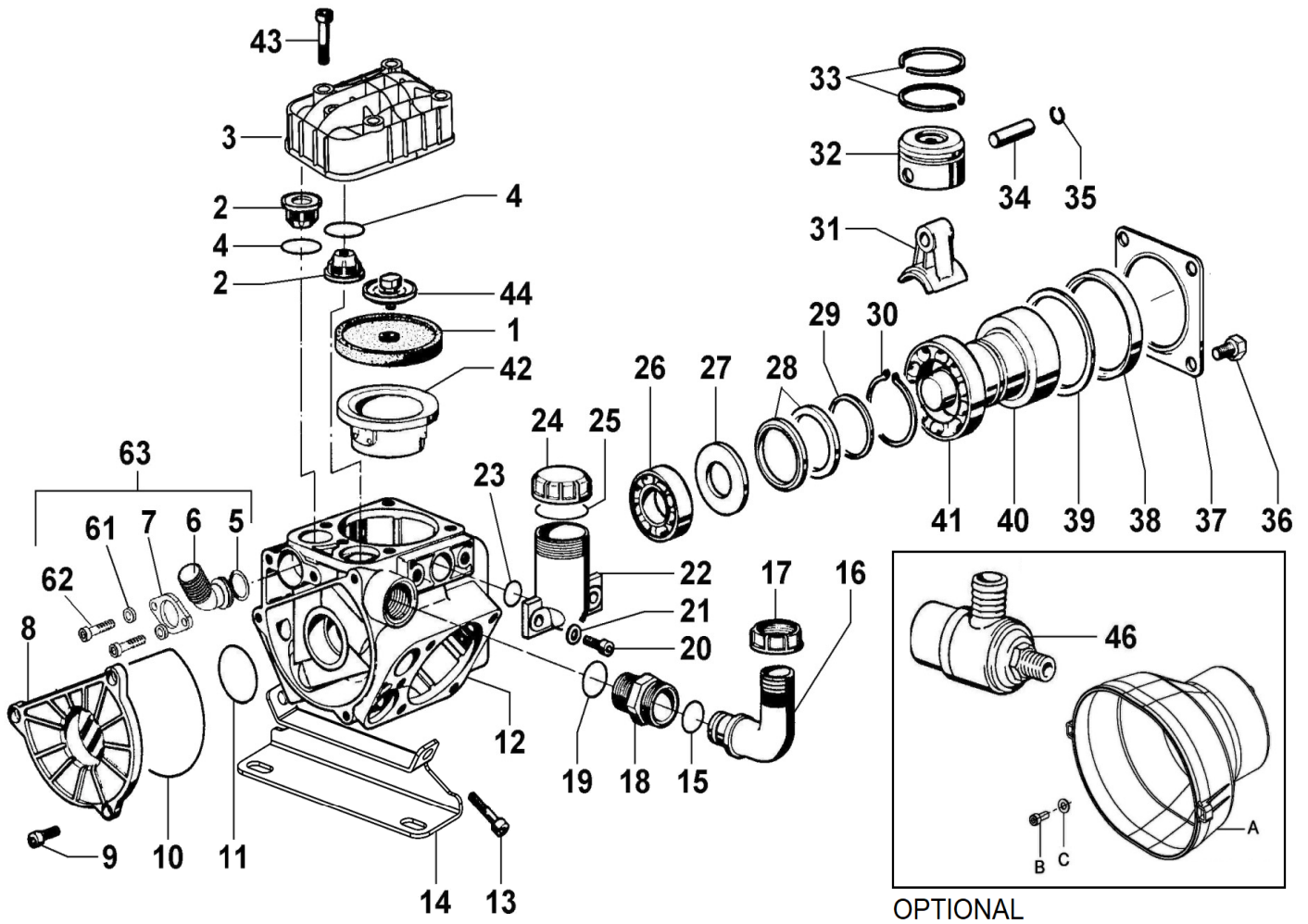


FIGURE 16: MODEL 9915-D303, 9915-D403

MEDIUM PRESSURE 20-40 BAR REPLACEMENT PARTS

TORQUE CHART D303, D403

REF. No.	Qty.	N-m	ft.Lbs
9	3	10	7.4
20	2	10	7.4
62	2	10	7.4
43	11	22	16.2
13	4	22	16.2
36	4	22	16.2
44	3	5	3.7

Tolerance on Torque value: +0/-10%

9915-KIT2002

KIT DIAPHRAGM D303, D403

REF. No.	DESCRIPTION	QTY.
1	DURAMAX PISTON DIAPHRAGM	3
4	VALVE SEAL	6

9915-KIT2102

KIT SERVICE VALVE D303, D403

REF. No.	DESCRIPTION	QTY.
2	VALVE ASSY	6
4	VALVE SEAL	6

9915-KIT2202

KIT REPAIR PUMP D303, D403

REF. No.	DESCRIPTION	QTY.
4	VALVE SEAL	6
10	O-RING 2.62X101.27	1
11	O-RING 2.62X36.14	1
38	OIL SEAL DIA. 68X90X10	1