

MEDIUM PRESSURE 20-40 BAR REPLACEMENT PARTS

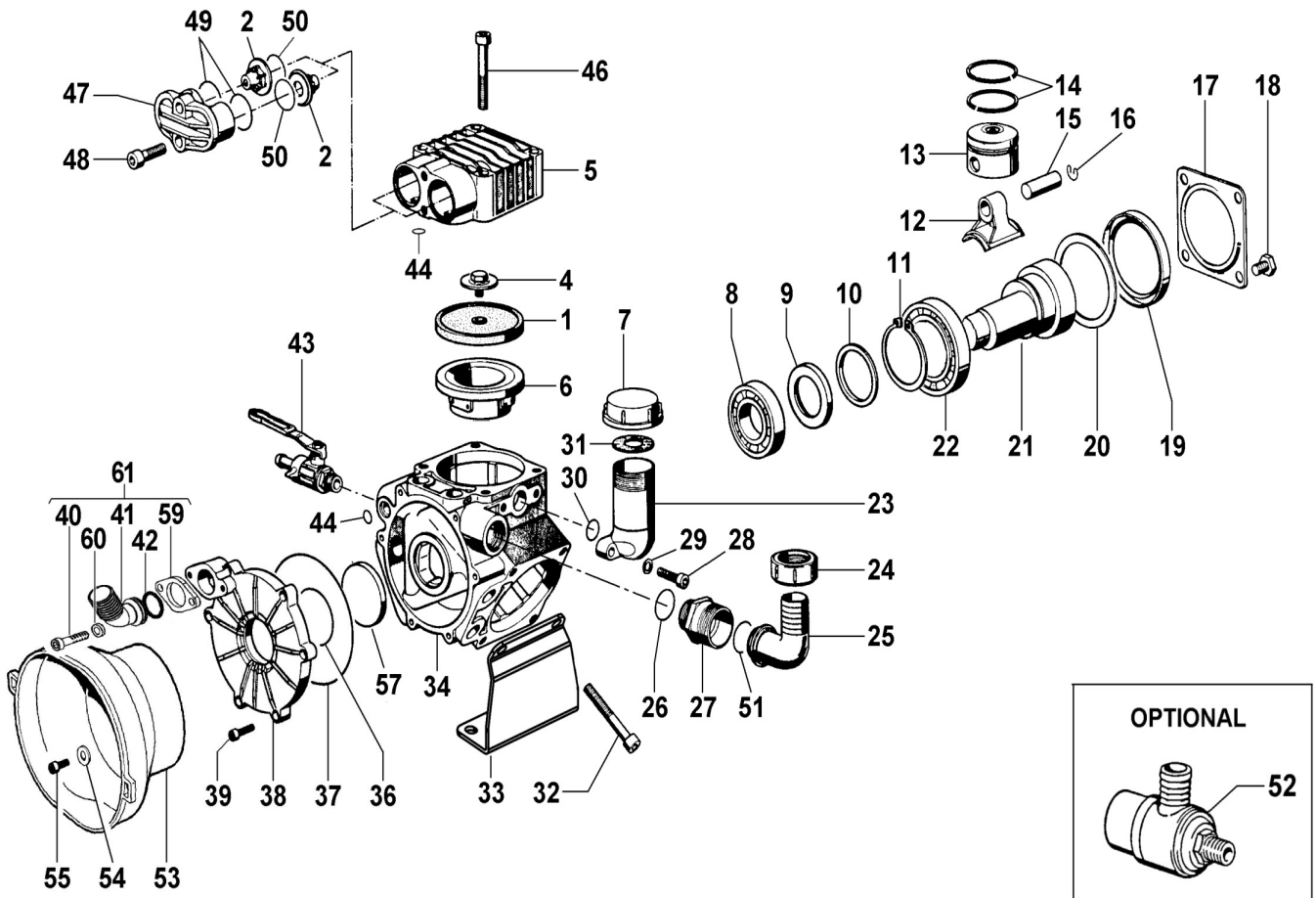


FIGURE 17: MODEL 9915-D503

MEDIUM PRESSURE 20-40 BAR REPLACEMENT PARTS

TORQUE CHART D503

REF. No.	Qty.	N-m	ft.Lbs
4	3	12	8.9
18	4	22	16.2
28	2	10	7.4
32	4	44	32.5
39	6	10	7.4
40	2	10	7.4
46	8	44	32.5
48	6	44	32.5

Tolerance on Torque value: +0/-10%

9915-KIT2008

KIT DIAPHRAGM D503

REF. No.	DESCRIPTION	QTY.
1	DURAMAX PISTON DIAPHRAGM	3
44	O-RING 2.62X18.72	6

9915-KIT2108

KIT SERVICE VALVE D503

REF. No.	DESCRIPTION	QTY.
2	VALVE ASSY	6
49	O-RING	6
50	O-RING	6

9915-KIT2208

KIT REPAIR PUMP D503

REF. No.	DESCRIPTION	QTY.
19	OIL SEAL	1
36	O-RING	1
37	O-RING	1
44	O-RING 2.62X18.72	6
49	O-RING	6
50	O-RING	6