

MEDIUM PRESSURE 20-40 BAR REPLACEMENT PARTS

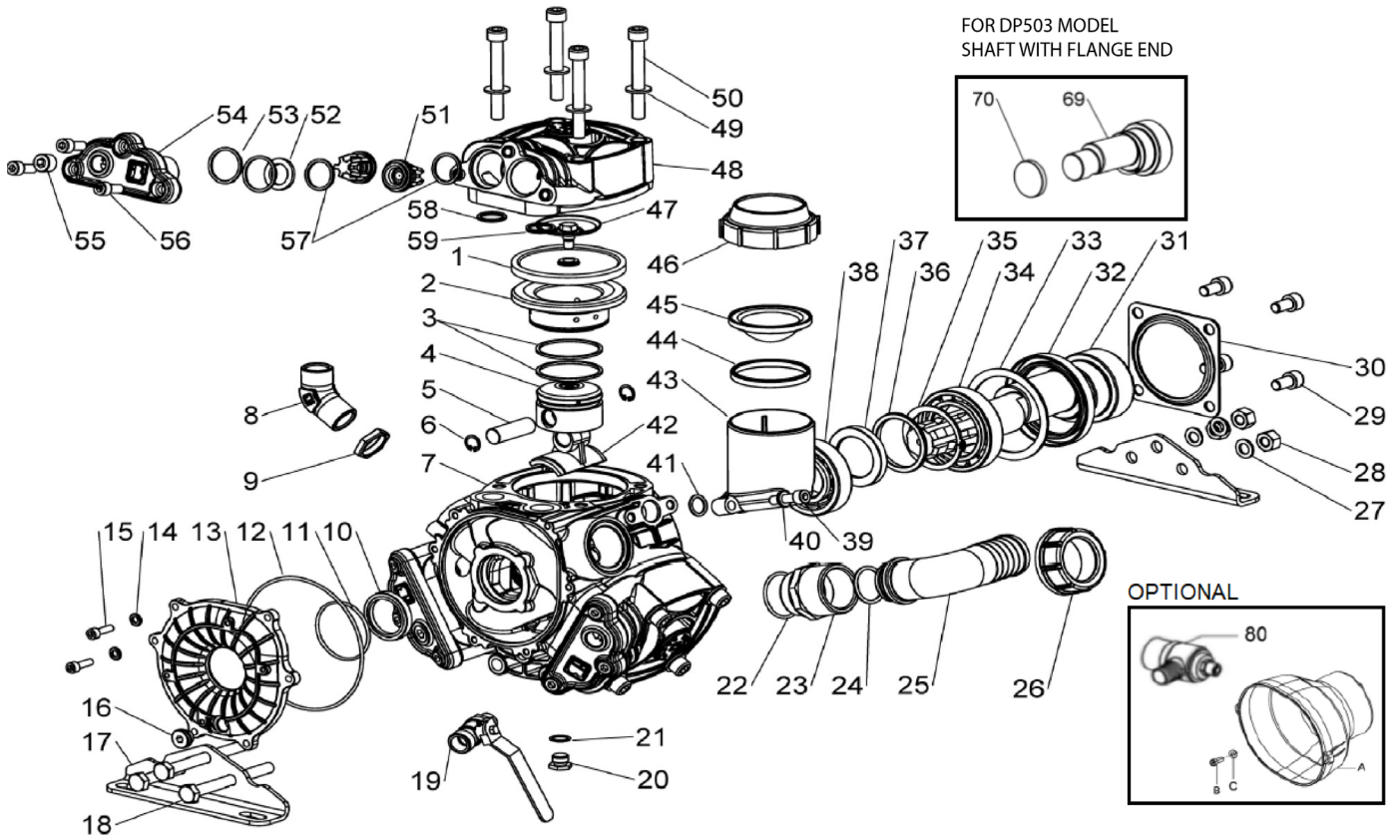


FIGURE 18: MODEL 9915-DP503

MEDIUM PRESSURE 20-40 BAR REPLACEMENT PARTS

TORQUE CHART DP503			
REF. No.	Qty.	N-m	ft.Lbs
15	6	10	7.4
16	1	5	3.7
18	3	44	32.4
20	1	22	16.2
28	3	44	32.4
29	4	22	16.2
39	2	10	7.4
47	3	12	8.8
50	12	30	22.1
55	2	"5 (APPLY THREAD SEALANT)"	"3.7 (APPLY THREAD SEALANT)"
56	9	22	16.2
73	4	44	32.4

Tolerance on Torque value: +0/-10%

9915-KIT2003		
KIT DIAPHRAGM DP503		
REF. No.	DESCRIPTION	QTY.
1	PRE-SET DURAMAX PISTON DIAPHRAGM	3
58	O-RING 2.62X18.72	3
59	O-RING 2.62X20.24	3

9915-KIT2103		
KIT SERVICE VALVE DP503		
REF. No.	DESCRIPTION	QTY.
51	VALVE ASSY	6
52	SPACER	3
53	O-RING 3.0X30	6
57	O-RING 2.62X25.07	6

9915-KIT2203		
KIT REPAIR PUMP DP503		
REF. No.	DESCRIPTION	QTY.
10	OIL SEAL	1
11	O-RING 2.62X53.65	1
12	O-RING 2.62X126.67	1
21	GASKET	1
32	OIL SEAL	1
53	O-RING 3.0X30	6
57	O-RING 2.62X25.07	6
58	O-RING 2.62X18.72	3
59	O-RING 2.62X20.24	3
70	COVER 47X7	1