

LOW PRESSURE 15 BAR REPLACEMENT PARTS

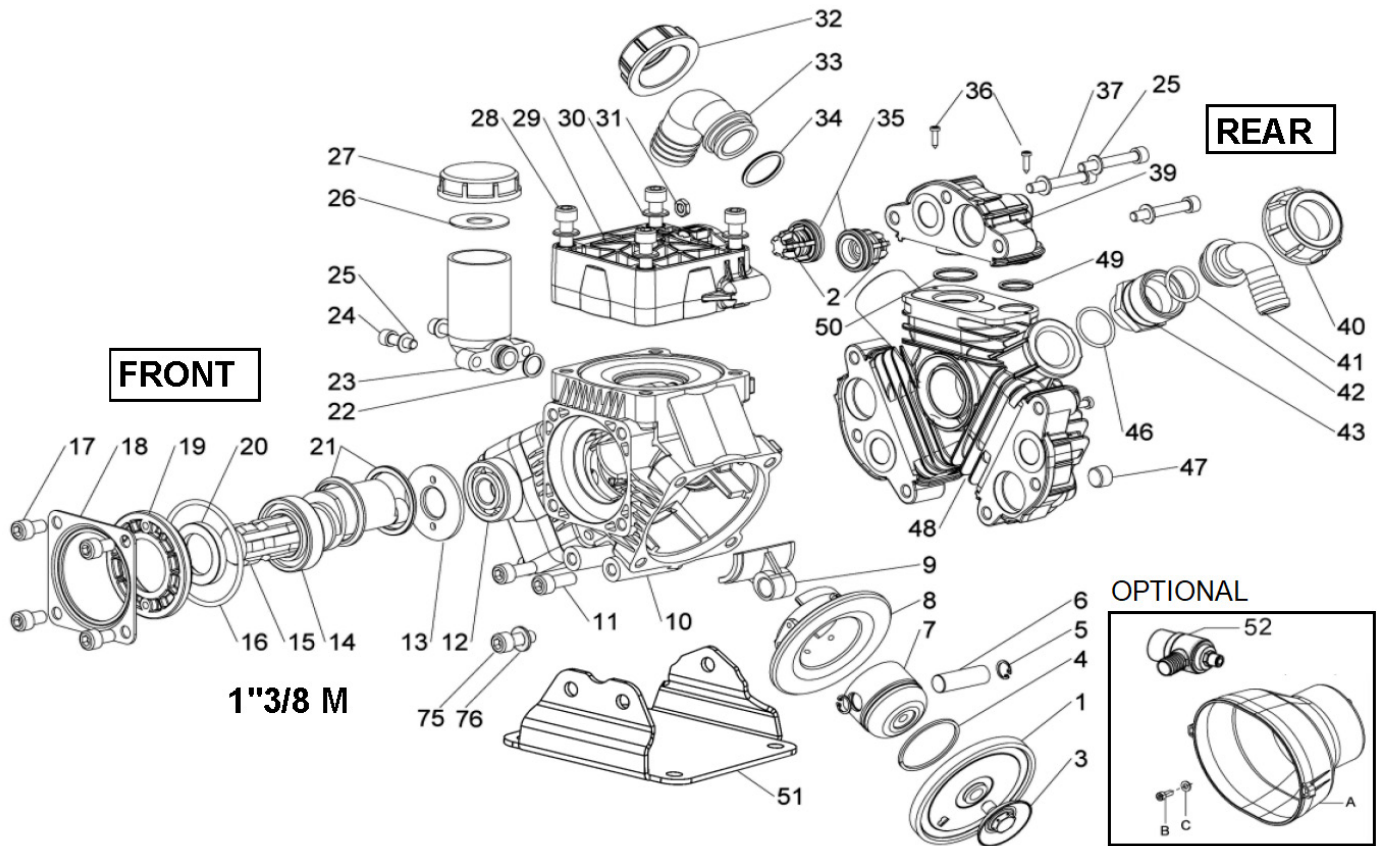


FIGURE 7: MODEL DP803

LOW PRESSURE 15 BAR REPLACEMENT PARTS

TORQUE CHART DP803

REF. No.	Qty.	N-m	ft.Lbs
3	3	25	18.5
43	1	20	14.8
47	3	"5 (LOXEAL 55-14)"	"3.7 (LOXEAL 55-14)"
24	2	5	3.7
37	9	10	7.4
17	4	44	32.5
36	6	3	2.2
11	3	44	32.5
75	1	40	29.5
28	12	30	22

Tolerance on Torque value: +0/-10%

ACCUMULATOR PRESSURE DP803

"OPERATING PRESSURE PSI [Bar]"	"ACCUMULATOR PRESSURE PSI [Bar]"
29-73 [2-5]	29 [2]
73-145 [5-10]	29-73 [2-5]
145-290 [10-20]	73-102 [5-7]

9915-KIT2004

KIT DIAPHRAGM DP803 DP1003

REF. No.	DESCRIPTION	QTY.
1	PRE-SET DURAMAX PISTON DIAPHRAGM	3
35	O-RING 3.53X28.17	6

9915-KIT2104

KIT SERVICE VALVE DP803 DP1003

REF. No.	DESCRIPTION	QTY.
2	VALVE ASSY	6
35	O-RING 3.53X28.17	6

9915-KIT2204

KIT REPAIR PUMP DP803 DP1003

REF. No.	DESCRIPTION	QTY.
16	O-RING 4.0x82	1
20	OIL SEAL DIA.35X52X7	1
35	O-RING DIA.3.53X28.17	6