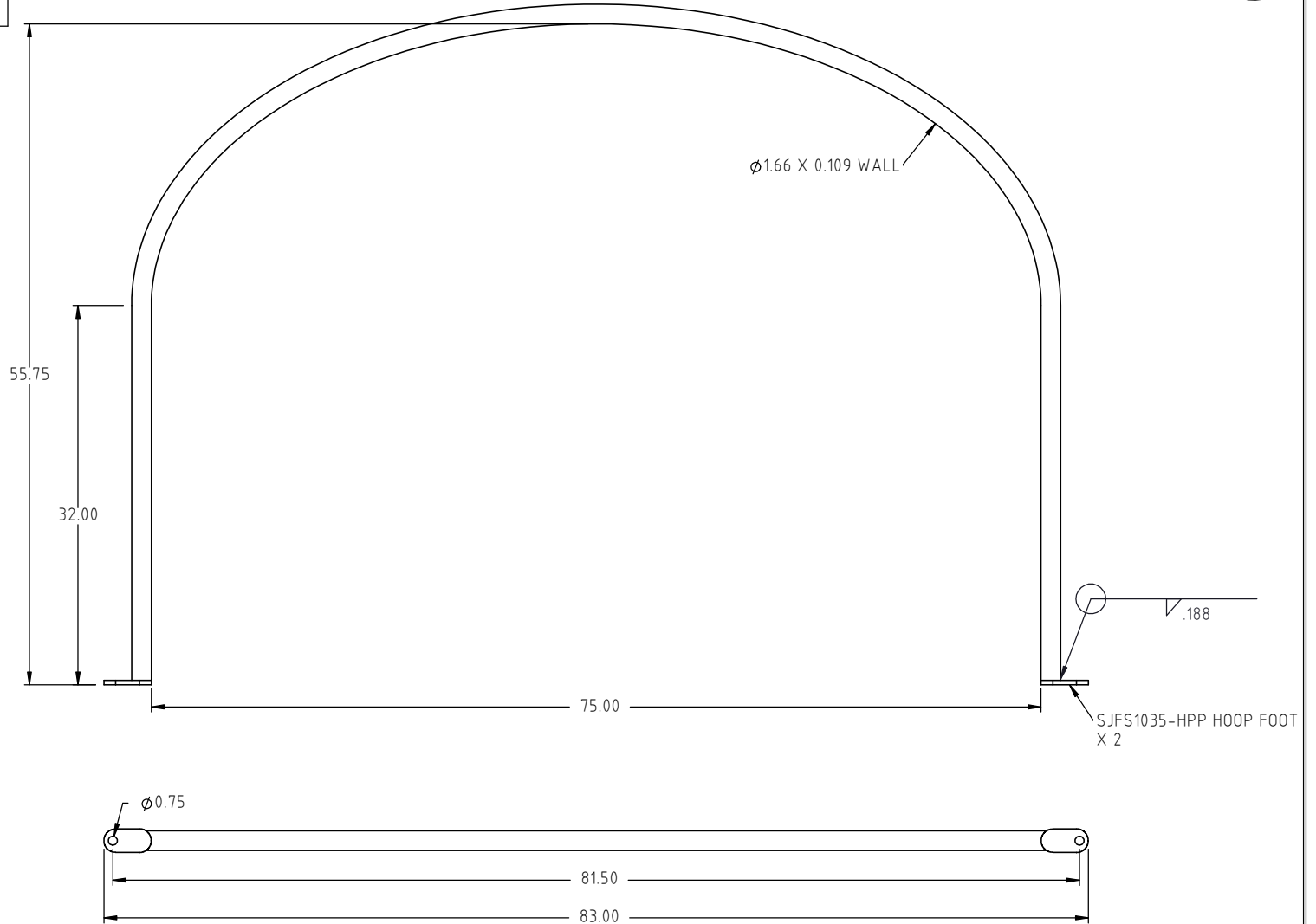



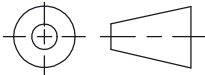
© DEN HARTOG INDUSTRIES, INC.

Copyright. All information furnished within this document, electronic file or design correspondence is the property of Den Hartog industries, Inc. and shall not be used, disclosed to others or copied without the expressed written consent of Den Hartog Industries, Inc.

FS1850-HPFS

FS1850-HP 4 PER SET



				DRAWN / DATE ADH 3/27/12	MATERIAL MILD STEEL	 <p>Den Hartog INDUSTRIES, INC.</p> <p><i>Acc Roto-Mold Injection Molding Blow Molding Sowjoy</i></p> <p>4010 HOSPERS DRIVE S. BOX 425, HOSPERS, IOWA 51238-0425</p>
				APPRD. / DATE REH 4/9/12		
REV	DESCRIPTION	BY / DATE	CCN			
ALL DIMENSIONS ARE IN DECIMAL INCHES TOLERANCES UNLESS OTHERWISE SPECIFIED POLYETHYLENE		THIRD ANGLE PROJECTION ANSI 14.5M		SHOT WEIGHT:	NOTES:	DESCRIPTION
$\pm 1\%$ @ 68°F METAL DECIMAL $\pm .125$ " FRACTION $\pm 1/4$ " ANGLE $\pm 1^\circ$				SHIPPING WEIGHT: 32 LBS	1.) BLANK LENGTH: 163"	FS 1850 HOOP WELDMENT
				FINISH: BLACK POWDER COAT		SCALE N.S.
						PART NO. FS1850-HPFS