

PROPRIETARY DATA

PROPERTY OF DEN HARTOG INDUSTRIES, INC. INFORMATION FURNISHED HEREIN IS THE PROPERTY OF DEN HARTOG INDUSTRIES, INC. AND SHALL NOT BE USED, DISCLOSED TO OTHERS, OR COPIED WITHOUT THE EXPRESSED WRITTEN CONSENT OF DEN HARTOG INDUSTRIES, INC. ALL RIGHTS RESERVED.

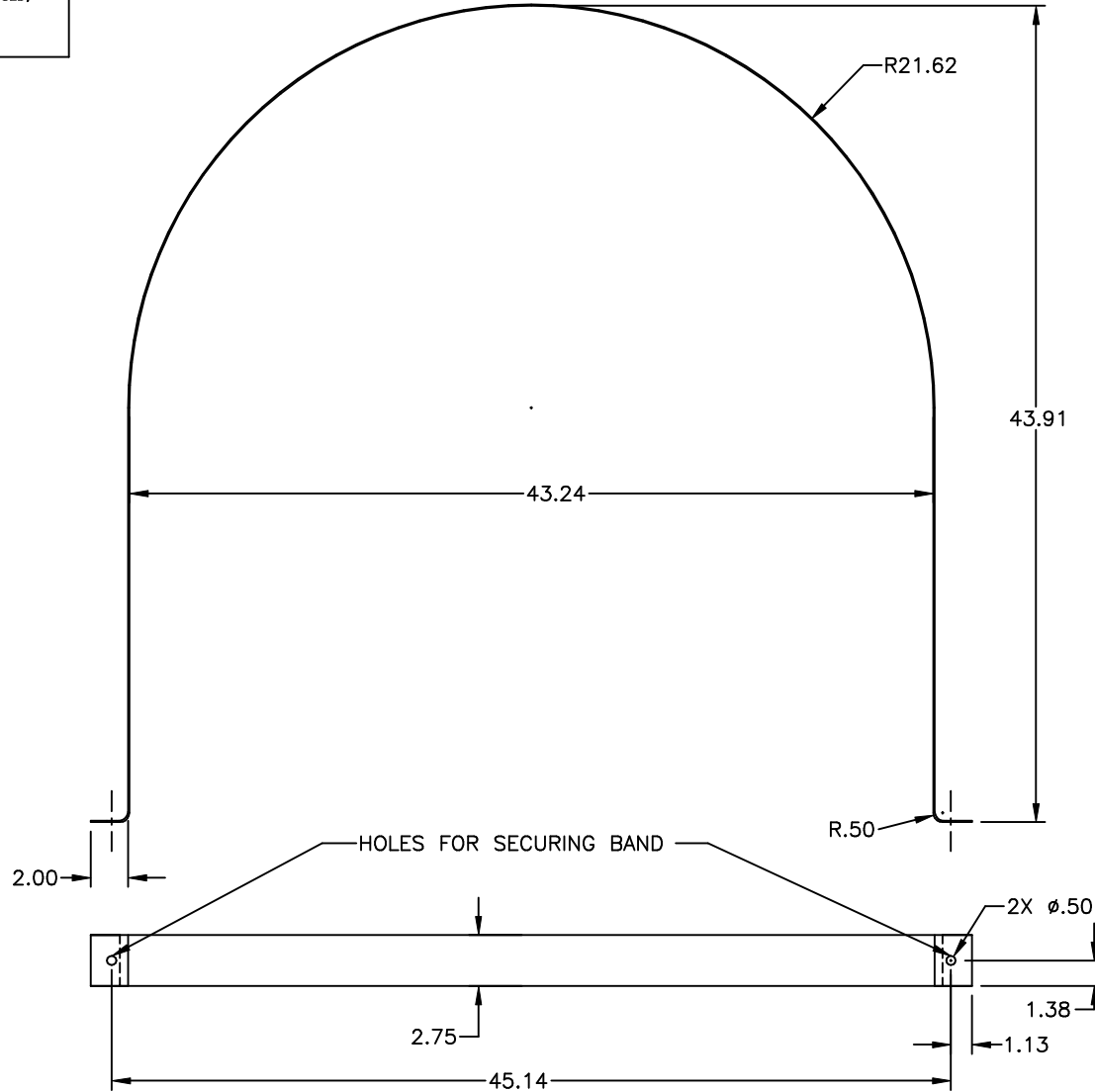
FS0335-SBPFS

B

FS0335-SBPF 2 PER KIT

ⓑ

BLANK LENGTH: 116.5"



				DRAWN / DATE	MATERIAL
B	ADD TEXT BOX/CHANGE DESCRIPTON	3/30/07	GWC	NVE 6/29/05	7 GA (.1793) G90 STEEL
A	TOLERANCE WAS 1% @ 68° F	3/16/07	GWC	APPRD. / DATE	
REV	DESCRIPTION	DATE	APPRD	DHJ 12/9/05	
ALL DIMENSIONS ARE IN DECIMAL INCHES TOLERANCES UNLESS OTHERWISE SPECIFIED DECIMAL +/- .125" FRACTION +/- 1/4" ANGLE +/- 2°				THIRD ANGLE PROJECTION ANSI 14.5M	NOTES: 1. POWDER COATED SILVER 2. WEIGHT 16 LBS.



ACE ROTO-MOLD

A DIVISION OF DEN HARTOG INDUSTRIES, INC.
4018 HWY. 60 BLVD., BOX 421, HOSPERS, IOWA 51238

CLIENT / DESCRIPTION 335 GALLON SILVER
POWDER-COATED FORMED STEEL BAND W/ FEET

SCALE N.S.

PART NO. FS0335-SBPFS