

PROPRIETARY DATA

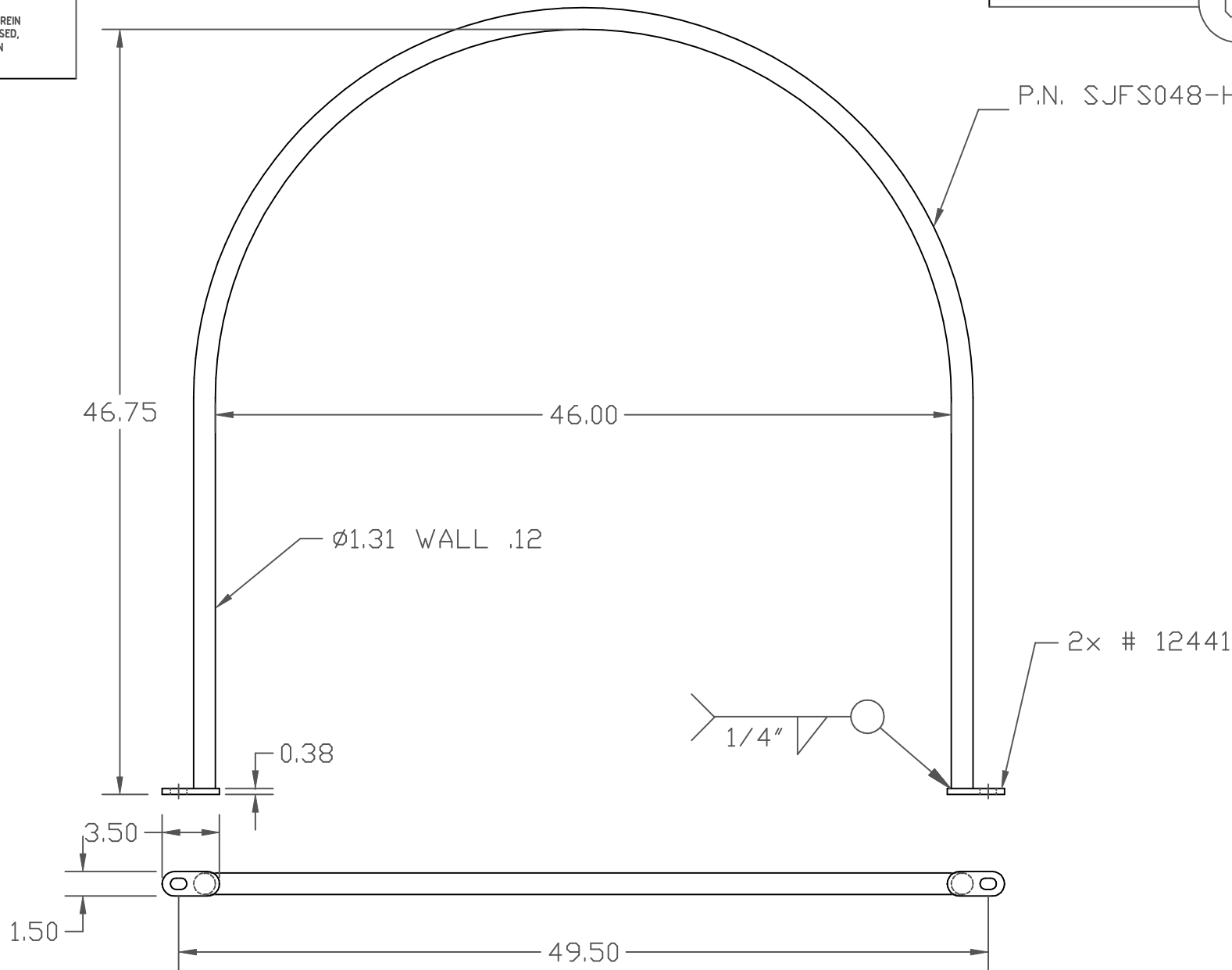
PROPERTY OF ACE ROTO-MOLD MFG., INC. INFORMATION FURNISHED HEREIN IS THE PROPERTY OF ACE ROTO-MOLD MFG., INC. AND SHALL NOT BE USED, DISCLOSED TO OTHERS, OR COPIED WITHOUT THE EXPRESSED WRITTEN CONSENT OF ACE ROTO-MOLD MFG., INC. ALL RIGHTS RESERVED.

FS048-HPS



FS048-HP 3 PER KIT

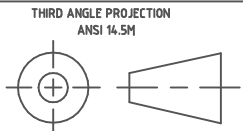
P.N. SJFS048-HPS



C	ADD TEXT BOX	3/30/07	GWC	DRAWN / DATE	MATERIAL
B	TOLERANCE WAS 1% @ 68° F	3/16/07	GWC	DHJ/1/29/03	
A	REVISE FOOT	3/6/07		ADH/11/9/07	
REV	DESCRIPTION	DATE	APPRD		16.7 LBS. MILD STEEL

ACE ROTO-MOLD
 A DIVISION OF DEN HARTOG INDUSTRIES, INC.
 4018 HWY. 60 BLVD., BOX 421, HOSPERS, IOWA 51238

ALL DIMENSIONS ARE IN DECIMAL INCHES
 TOLERANCES UNLESS OTHERWISE SPECIFIED
 DECIMAL +/- .125"
 FRACTION +/- 1/4"
 ANGLE +/- 2°



NOTES:
 1. 3 REQUIRED
 2. BLACK COLOR
 POWDER COATED

CLIENT / DESCRIPTION	
HOOP FOR 735 GALLON LEG TANK	
SCALE	PART NO.
NONE	FS048-HPS