

PROPRIETARY DATA

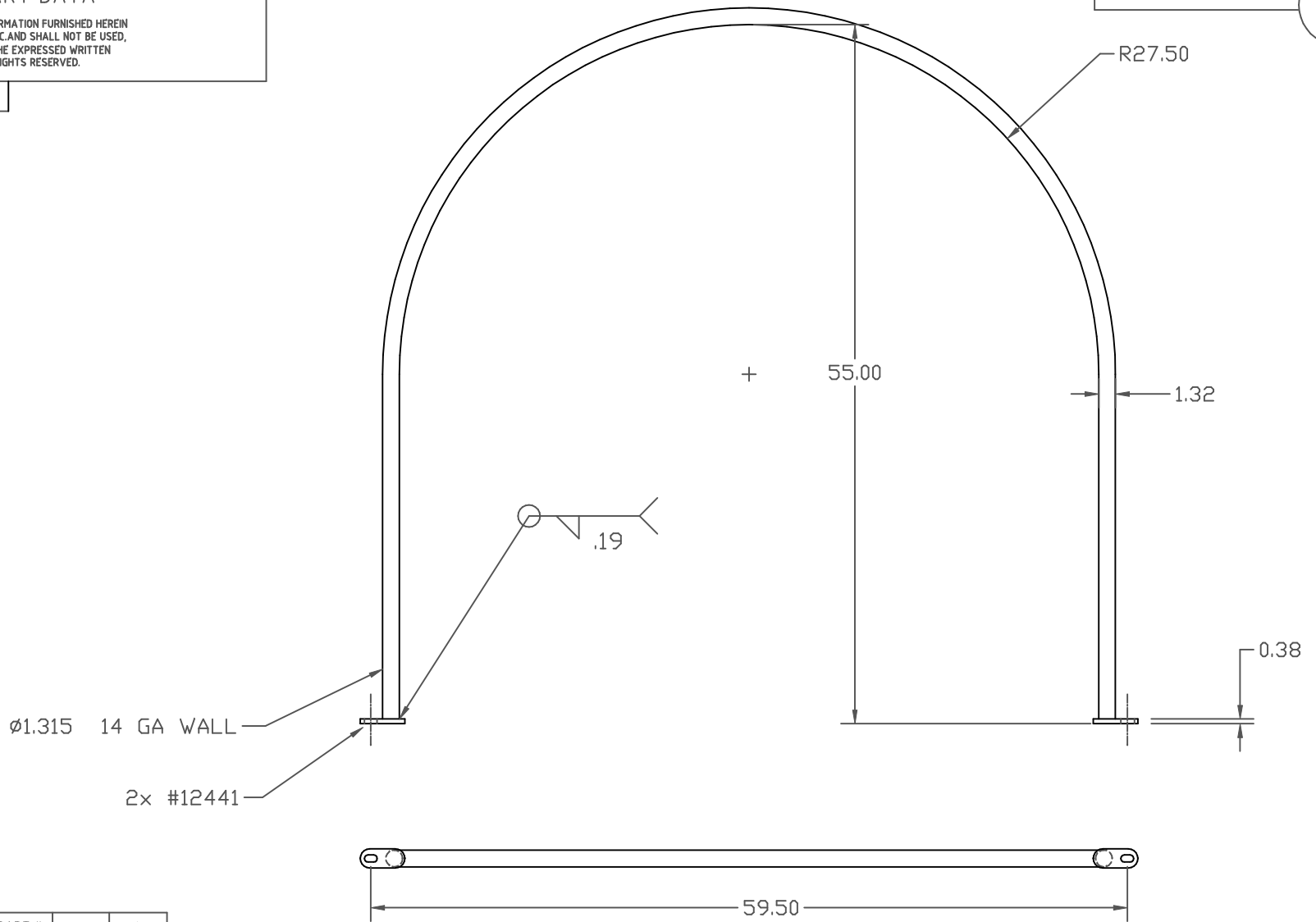
PROPERTY OF ACE ROTO-MOLD MFG., INC. INFORMATION FURNISHED HEREIN IS THE PROPERTY OF ACE ROTO-MOLD MFG., INC. AND SHALL NOT BE USED, DISCLOSED TO OTHERS, OR COPIED WITHOUT THE EXPRESSED WRITTEN CONSENT OF ACE ROTO-MOLD MFG., INC. ALL RIGHTS RESERVED.

FS1065-HPFS

E

FS1065-HP 3 PER SET

ⓔ



E	ADD TEXT BOX/ FIX DESC & PART #	4/2/07	GWC
D	TOLERANCE WAS 1% @ 68° F	3/16/07	GWC
C	REVISE FOOT	3/6/07	
B	PART NUMBER CHANGED	3/28/06	
A	CHANGE FOOT DIM	3/20/06	
REV	DESCRIPTION	DATE	APPRD

DRAWN / DATE	MATERIAL
NVE 7/18/05	MILD STEEL
APPRD. / DATE	
REH 7/18/05	

ACE ROTO-MOLD
 A DIVISION OF DEN HARTOG INDUSTRIES, INC.
 4018 HWY. 60 BLVD., BOX 421, HOSPERS, IOWA 51238

CLIENT / DESCRIPTION
 HOOP WITH FEET FOR FS1065 LEG TANK

SCALE
 N.S.

PART NO.
 FS1065-HPFS

NOTES:
 1. BLACK COLOR-POWDER COATED
 2. WEIGHT 16 LBS.

ALL DIMENSIONS ARE IN DECIMAL INCHES
 TOLERANCES UNLESS OTHERWISE SPECIFIED
 DECIMAL +/- .125"
 FRACTION +/- 1/4"
 ANGLE +/- 2°

