

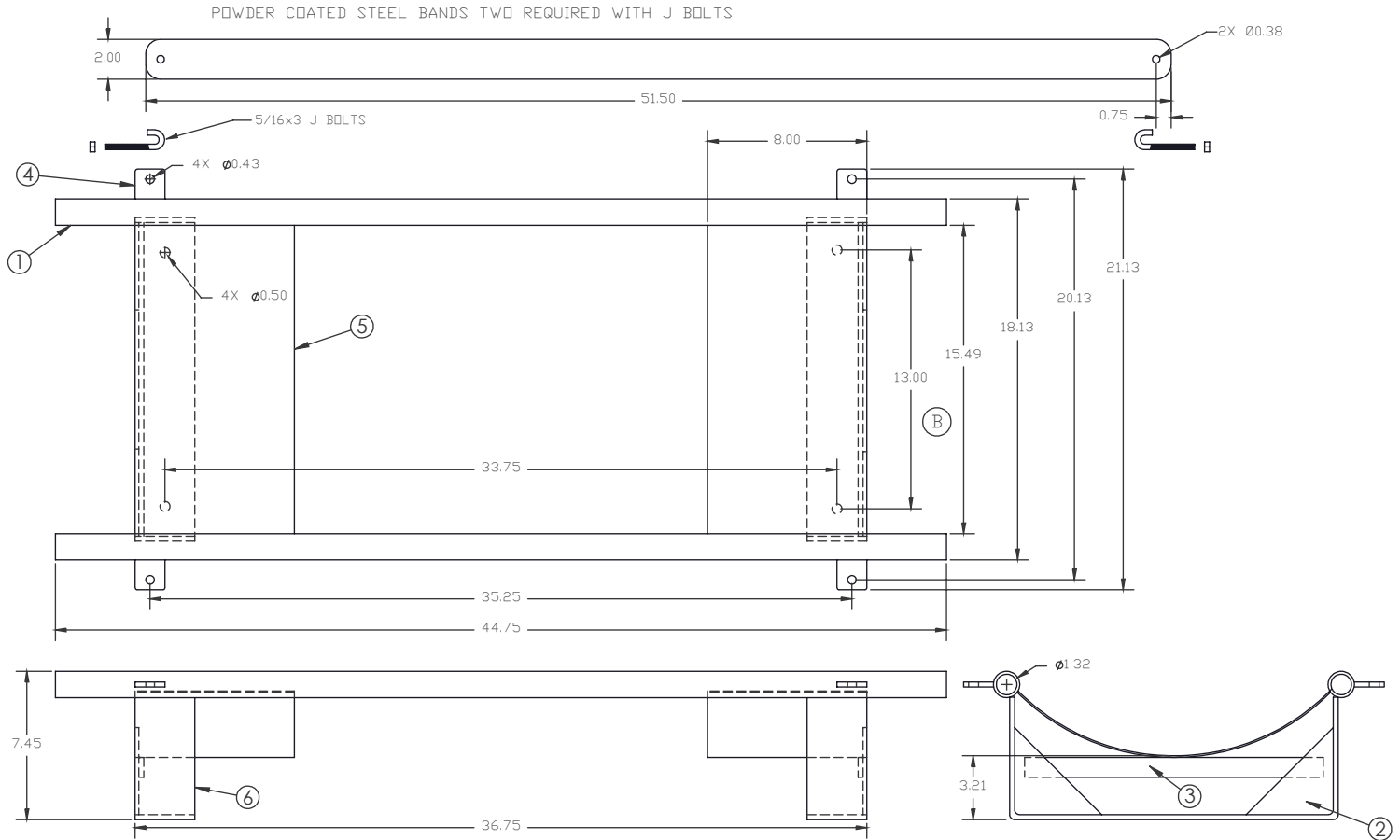
PROPRIETARY DATA

PROPERTY OF DEN HARTOG MFG, INC. INFORMATION FURNISHED HEREIN IS THE PROPERTY OF ACE ROTO-MOLD MFG, INC AND SHALL NOT BE USED, DISCLOSED TO OTHERS, OR COPIED WITHOUT THE EXPRESSED WRITTEN CONSENT OF ACE ROTO-MOLD MFG, INC. ALL RIGHTS RESERVED.

KEY	PART NUMBER	MATERIAL	DESCRIPTION	QTY.
1	HZ0095-C-1	P10000	PIPE, 1" SIZE TUBING	2 @ 44.75" (89.50 IN)
2	HZ0095-C-2	S-1875	SHEET, 3/16"	4 @ 4.5" X 4.5"/2 (40.5 SI)
3	HZ0095-C-3	B02500X12500	FLAT 1/4" X 1 1/4"	2 @ 14" (28" IN)
4	SJHZ0095C-4	B02500X12500	FLAT 1/4" X 1 1/4"	4 @ 1.5" (6 IN)
5	SJHZ0095C-3	S-14GA	SHEET, 14GA	2 @ 8" X 17.5" (280 IN)
6	SJHZ0095C-6	B02500X30000	FLAT, 1/4" X 3"	2 @ 28" (56 IN)

HZ0095-C

D



D	DESCRIPTION CORRECTED	ADH 9/30/08	1726
C	TOLERANCE WAS 1% @ 68°F	GWC 3/14/07	
B	CHANGE HOLE SPACING WAS 12.75	2/8/05	
A	CHANGE TO POWDER COAT BANDS	2/8/05	
REV	DESCRIPTION	BY / DATE	CCN

DRAWN / DATE	MATERIAL
ADH 8/2/07	
APPRD. / DATE	
REH 11/26/07	

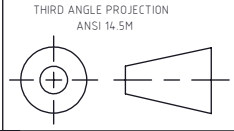


Den Hartog
INDUSTRIES, INC.

Ace Roto-Mold Injection Molding Blow Molding Sowjoy

4010 HOSPERS DRIVE S. BOX 425, HOSPERS, IOWA 51238-0421

ALL DIMENSIONS ARE IN DECIMAL INCHES
TOLERANCES UNLESS OTHERWISE SPECIFIED
DECIMAL ± .125"
FRACTION ± 1/4"
ANGLE ± 1°



NOTES:

DESCRIPTION	CRADLE FOR 95 GALLON HORIZONTAL TANK	
SCALE	N.S.	PART NO. HZ0095-C