

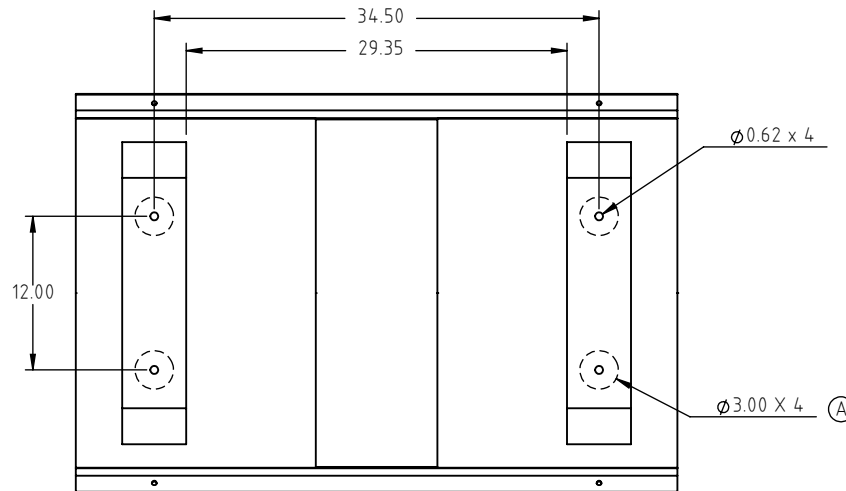
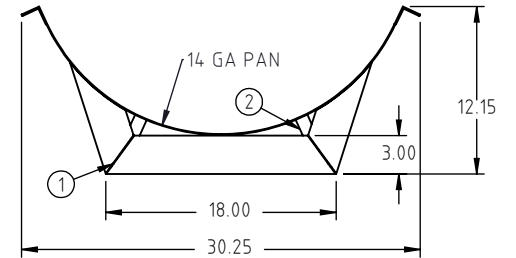
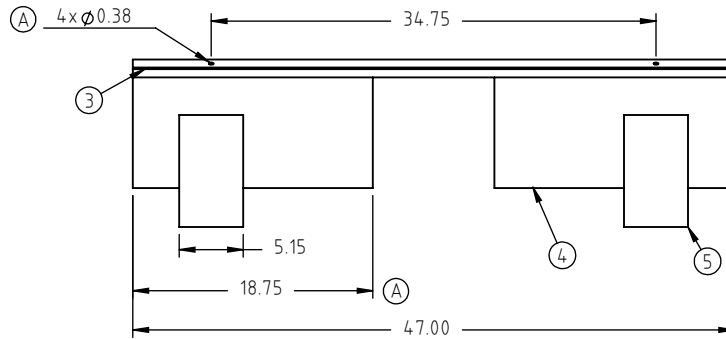
PROPRIETARY DATA

PROPERTY OF DEN HARTOG MFG, INC. INFORMATION FURNISHED HEREIN IS THE PROPERTY OF ACE ROTO-MOLD MFG, INC. AND SHALL NOT BE USED, DISCLOSED TO OTHERS, OR COPIED WITHOUT THE EXPRESSED WRITTEN CONSENT OF ACE ROTO-MOLD MFG, INC. ALL RIGHTS RESERVED.

KEY	PART NUMBER	MATERIAL	DESCRIPTION	QTY.
1	HZ0153-C-1	S-14GA	SHEET, 14GA	4 @ 1" X 2.75"(11 IN)
2	HZ0153-C-2	S-14GA	SHEET, 14GA	4 @ 1" X 4.5"(18 IN)
3	SJHZ0153C-1	A01250X15000	ANGLE, 1/8" X 1 1/2"	2 @ 47"(94 IN)
4	SJHZ0153C-3	S-14GA	SHEET, 14GA	2 @ 18.75" X 34"(1275 SI)
5	SJHZ0153C-6	S-14GA	SHEET, 14GA	2 @ 396"(792 SI)

HZ0153-C

A

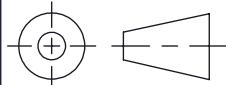


REV	DESCRIPTION	BY / DATE	CCN	DRAWN / DATE	APPRD. / DATE	MATERIAL
A	3" PAN ACCESS HOLES ADDED 18.75 WAS 18.50, 0.38 WAS 0.44	ADH 4/23/09	1858	ADH 8/8/07	REH 11/26/07	

ALL DIMENSIONS ARE IN DECIMAL INCHES
TOLERANCES UNLESS OTHERWISE SPECIFIED

DECIMAL ± .125"
FRACTION ± 1/4"
ANGLE ± 1°

THIRD ANGLE PROJECTION
ANSI 14.5M



NOTES:



Den Hartog
INDUSTRIES, INC.

Ace Roto-Mold Injection Molding Blow Molding Sowjoy

4010 HOSPERS DRIVE S. BOX 425, HOSPERS, IOWA 51238-0421

DESCRIPTION CRADLE FOR 150 GALLON HORIZONTAL TANK

SCALE N.S.

PART NO. HZ0153-C