

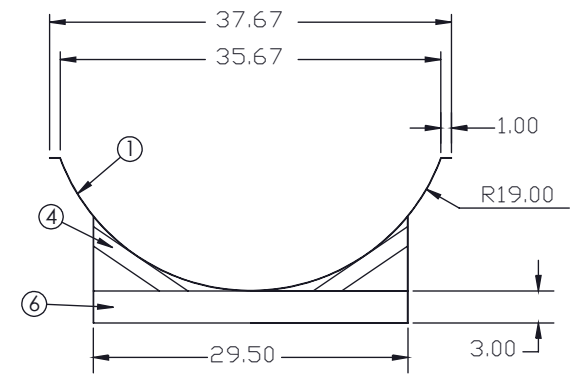
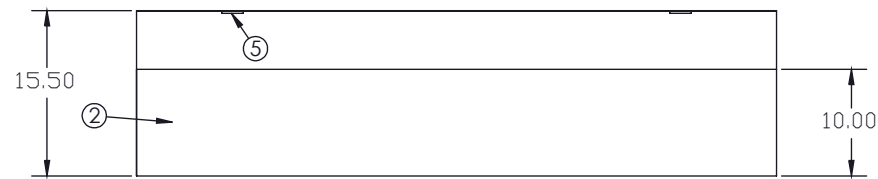
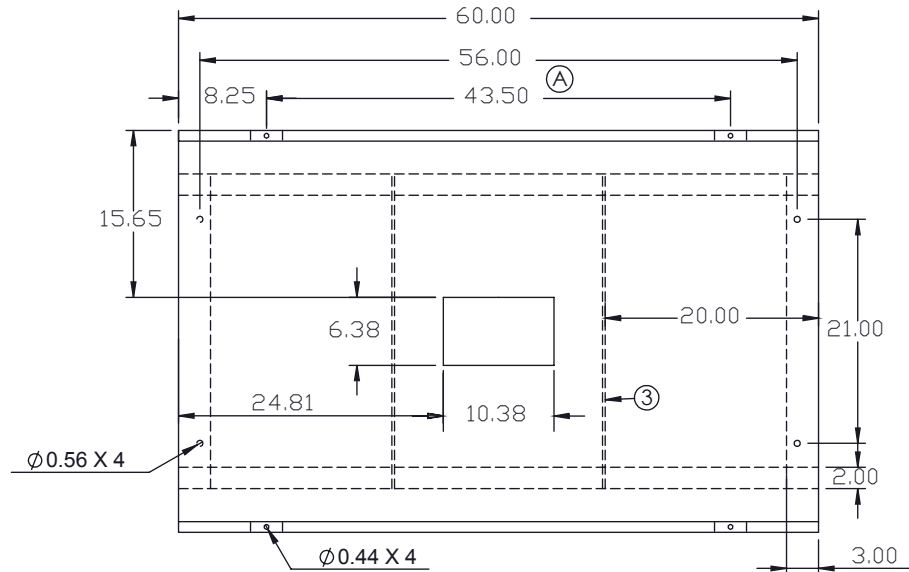
PROPRIETARY DATA

PROPERTY OF DEN HARTOG MFG, INC. INFORMATION FURNISHED HEREIN IS THE PROPERTY OF ACE ROTO-MOLD MFG, INC AND SHALL NOT BE USED, DISCLOSED TO OTHERS, OR COPIED WITHOUT THE EXPRESSED WRITTEN CONSENT OF ACE ROTO-MOLD MFG, INC. ALL RIGHTS RESERVED.

KEY	PART NUMBER	MATERIAL	DESCRIPTION	QTY.
1	HZ0300-C-1	S-14GA	SHEET, 14GA	48" X 60" (2880 SI)
2	HZ0300-C-2	S-14GA	SHEET, 14GA	2 @ 13" X 60" (2880 SI)
3	HZ0300-C-3	B02500X30000	FLAT, 1/4" X 3"	2 @ 29.25 (58.5 IN)
4	HZ0300-C-4	B02500X15000	FLAT, 1/4" X 1 1/2"	4 @ 12" (48 IN)
5	SJHZ0232C-4	B02500X10000	FLAT, 1/4" X 1"	4 @ 3" (12 IN)
6	SJHZ0238C-2	A01875X30000	ANGLE, 3/16" X 3"	2 @ 29.25" (58.5 IN)

HZ0300-C

B



				DRAWN / DATE ADH 8/14/07	MATERIAL
B	TOLERANCE WAS 1% @ 68° F	GWC 3/14/07		APPRD. / DATE REH 11/26/07	
A	CHANGE □ C HOLE DIM	4/10/06			
REV	DESCRIPTION	BY / DATE	CCN		
ALL DIMENSIONS ARE IN DECIMAL INCHES TOLERANCES UNLESS OTHERWISE SPECIFIED DECIMAL ± .125" FRACTION ± 1/4" ANGLE ± 1°				THIRD ANGLE PROJECTION ANSI 14.5M 	NOTES:



Den Hartog
INDUSTRIES, INC.

Ace Roto-Mold Injection Molding Blow Molding Sowjoy

4010 HOSPERS DRIVE S. BOX 425, HOSPERS, IOWA 51238-0421

DESCRIPTION	CRADLE FOR 300 GALLON HORIZONTAL TANK	
SCALE	N.S.	PART NO. HZ0300-C