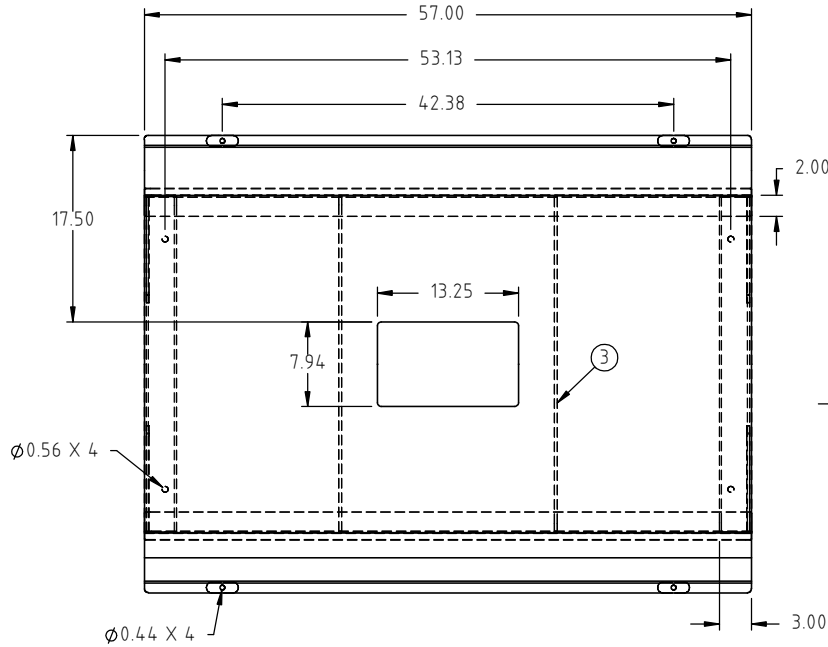


© DEN HARTOG INDUSTRIES, INC.

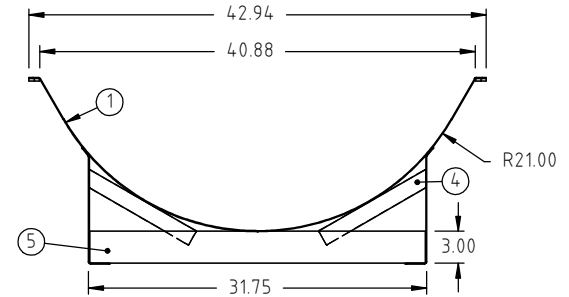
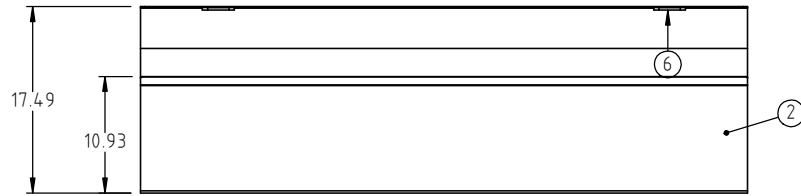
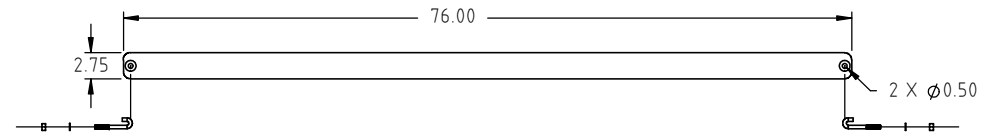
Copyright. All information furnished within this document, electronic file or design correspondence is the property of Den Hartog Industries, Inc. and shall not be used, disclosed to others or copied without the expressed written consent of Den Hartog Industries, Inc.

HZ0400-C

KEY	PART NUMBER	DESCRIPTION	QTY.
1	HZ0400-C-1	PAN	1
2	HZ0400-C-2	SIDE PANEL	2
3	HZ0400-C-3	BASE STRAP	2
4	HZ0400-C-4	PAN SUPPORT	4
5	HZ0400-C-5	BASE ANGLE	2
6	SJHZ0232C-4	STRAP SUPPORT, CRADLES	4



POWDER COATED STEEL BANDS TWO REQUIRED WITH J-BOLTS



				DRAWN / DATE ADH 7/25/12	MATERIAL MILD STEEL
				APPRD. / DATE REH 7/26/12	
REV	DESCRIPTION	BY / DATE	CCN		
ALL DIMENSIONS ARE IN DECIMAL INCHES TOLERANCES UNLESS OTHERWISE SPECIFIED		THIRD ANGLE PROJECTION ANSI 14.5M		SHOT WEIGHT:	NOTES:
POLYETHYLENE		METAL DECIMAL ± .125" FRACTION ± 1/4" ANGLE ± 1°		SHIPPING WEIGHT: 146 LB. WITH BANDS	
±1% @ 68°F				FINISH: POWDER COATING, BLACK TILE, 40012	



Den Hartog
INDUSTRIES, INC.

Acc Roto-Mold Injection Molding Blow Molding Sowjoy

4010 HOSPERS DRIVE S. BOX 425, HOSPERS, IOWA 51238-0425

DESCRIPTION CRADLE FOR 400 GALLON HORIZONTAL TANK	
SCALE N.S.	PART NO. HZ0400-C