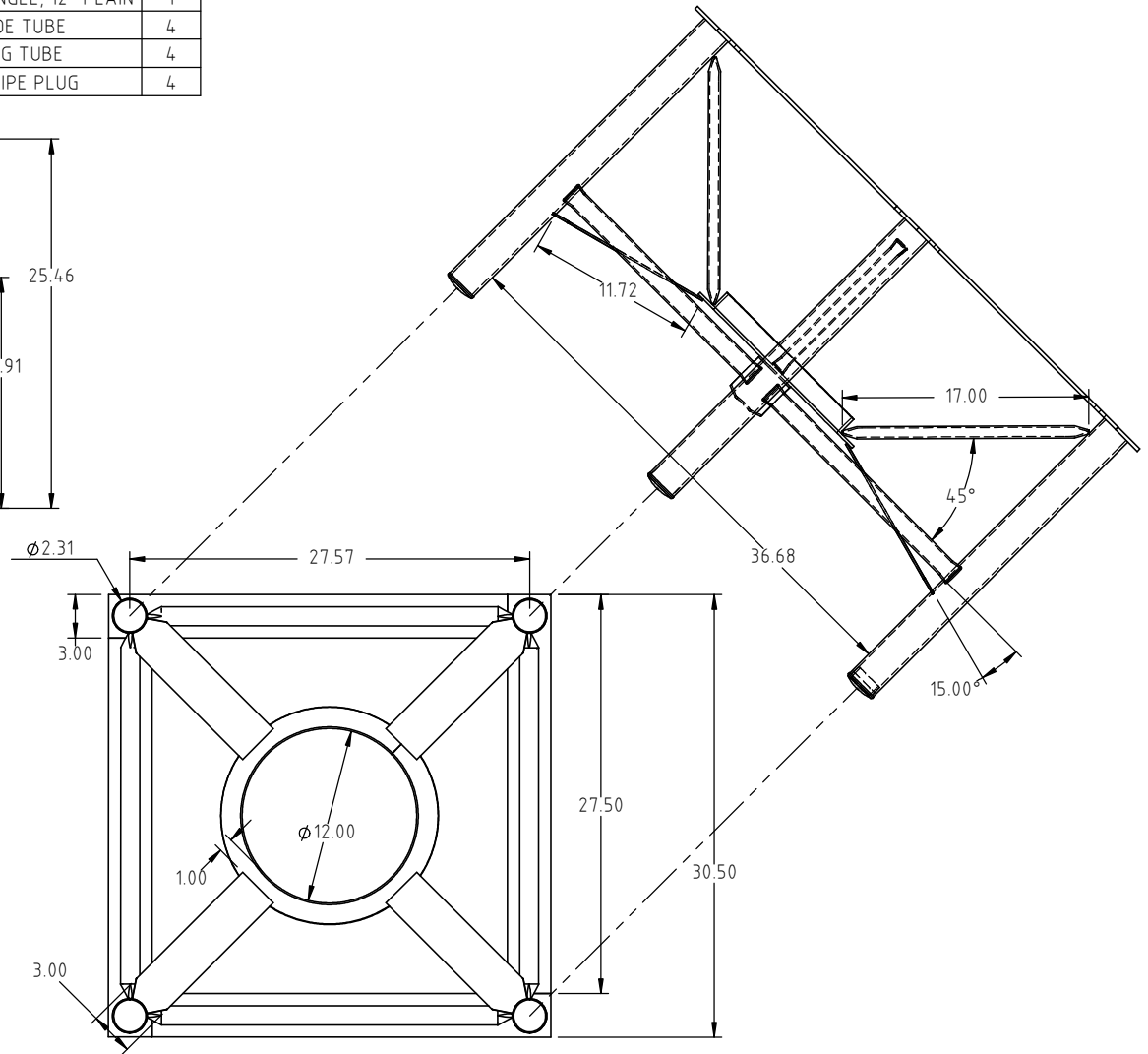
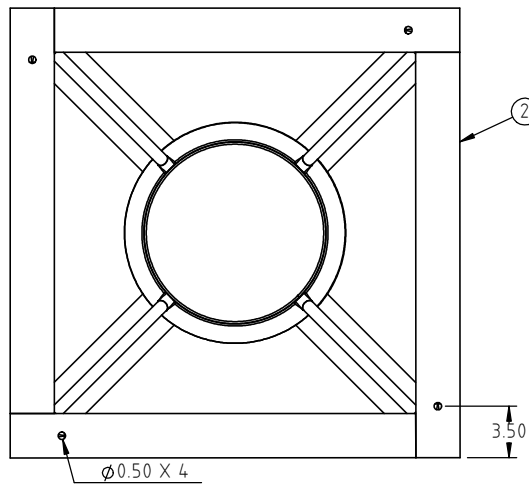
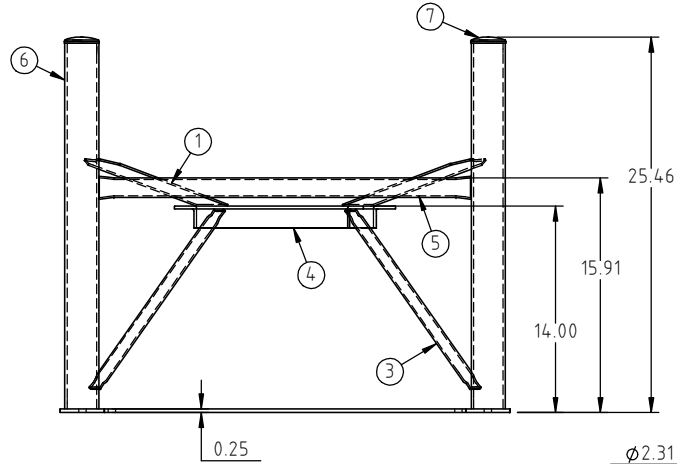


© DEN HARTOG INDUSTRIES, INC.

Copyright. All information furnished within this document, electronic file or design correspondence is the property of Den Hartog industries, Inc. and shall not be used, disclosed to others or copied without the expressed written consent of Den Hartog Industries, Inc.

KEY	PART NUMBER	DESCRIPTION	QTY.
1	CB036-45ST-1	TANK SUPPORT STRAP	4
2	CB036-15ST-2	BASE STRAP	4
3	CB036-45ST-3	LOW SUPPORT	4
4	RAR-12	ROLLED ANGLE, 12" PLAIN	1
5	CB036-15ST-5	SIDE TUBE	4
6	CB036-15ST-6	LEG TUBE	4
7	12687	2" PIPE PLUG	4

CB036-15ST



REV	DESCRIPTION	BY / DATE	CCN

DRAWN / DATE ADH 2/2/11	MATERIAL
APPRD. / DATE REH 4/18/11	

SHOT WEIGHT:	NOTES:
SHIPPING WEIGHT: 84 LBS	

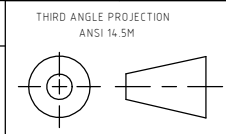


**Den Hartog**  
INDUSTRIES, INC.

Ace Roto-Mold Injection Molding Blow Molding Sowjoy

4010 HOSPERS DRIVE S. BOX 425, HOSPERS, IOWA 51238-0421

ALL DIMENSIONS ARE IN DECIMAL INCHES  
TOLERANCES UNLESS OTHERWISE SPECIFIED  
POLYETHYLENE METAL  
DECIMAL ± .125"  
FRACTION ± 1/4"  
ANGLE ± 1°  
±1% @ 68°F



FINISH: POWDER COATING, BLACK  
TILE, 40012

DESCRIPTION STAND FOR 15° X Ø36.00". CONE BOTTOM TANK	PART NO. CB036-15ST
SCALE N.S.	