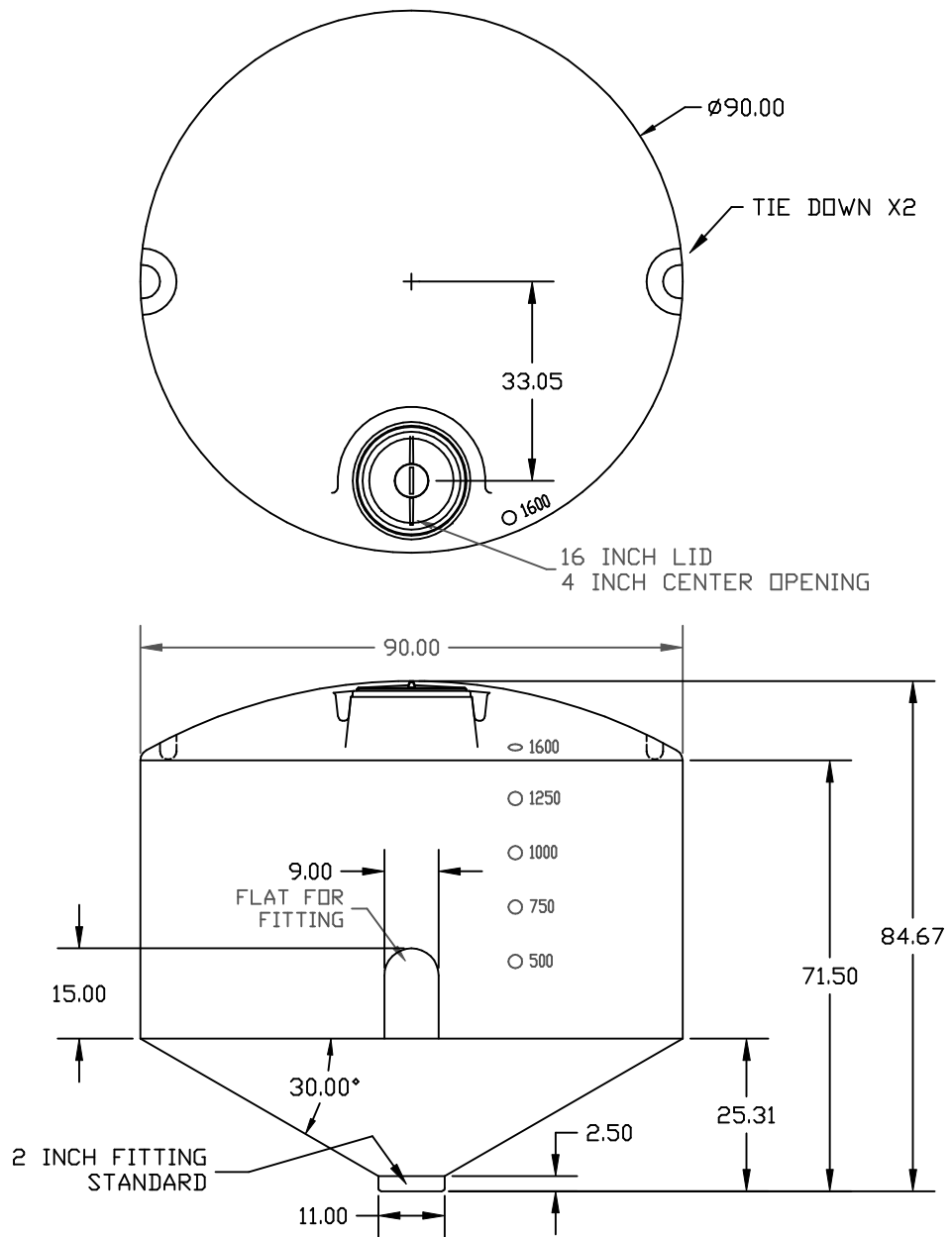


PROPERTY OF DEN HARTOG INDUSTRIES, INC. INFORMATION FURNISHED HEREIN IS THE PROPERTY OF DEN HARTOG INDUSTRIES, INC. AND SHALL NOT BE USED, DISCLOSED TO OTHERS, OR COPIED WITHOUT THE EXPRESSED WRITTEN CONSENT OF DEN HARTOG INDUSTRIES, INC. ALL RIGHTS RESERVED.



D	ISOLATED STAND AND TANK	6/6/06	NVE
C	ADDED HEIGHT DIMENSIONS	4/11/06	
B	CHANGE SUMP	3/9/06	
A	CHANGE DIM BASE	4/9/03	
REV	DESCRIPTION	DATE	APPRD

DRAWN / DATE	MATERIAL
DHJ 3/10/03	
APPRD. / DATE	
REH 4/18/07	

HDPE OR EQUIVALENT  
REFERENCE MATERIAL DATA SHEET  
FOR SPECIFIC PROPERTIES.



**ACE ROTO-MOLD**

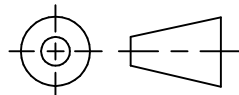
A DIVISION OF DEN HARTOG INDUSTRIES, INC.  
4010 HWY. 60 BLVD, BOX 425, HOSPERS, IOWA 51238

CLIENT / DESCRIPTION  
**1600 GALLON CONE BOTTOM TANK**

ALL DIMENSIONS ARE IN DECIMAL INCHES  
TOLERANCES UNLESS OTHERWISE SPECIFIED

± 1% @ 68° F

THIRD ANGLE PROJECTION  
ANSI 14.5M



- NOTES:
1. NOM. WALL @ .326
  2. SHOT WEIGHT 284 LBS.

SCALE  
N.S.

PART NO.  
CB1600-90