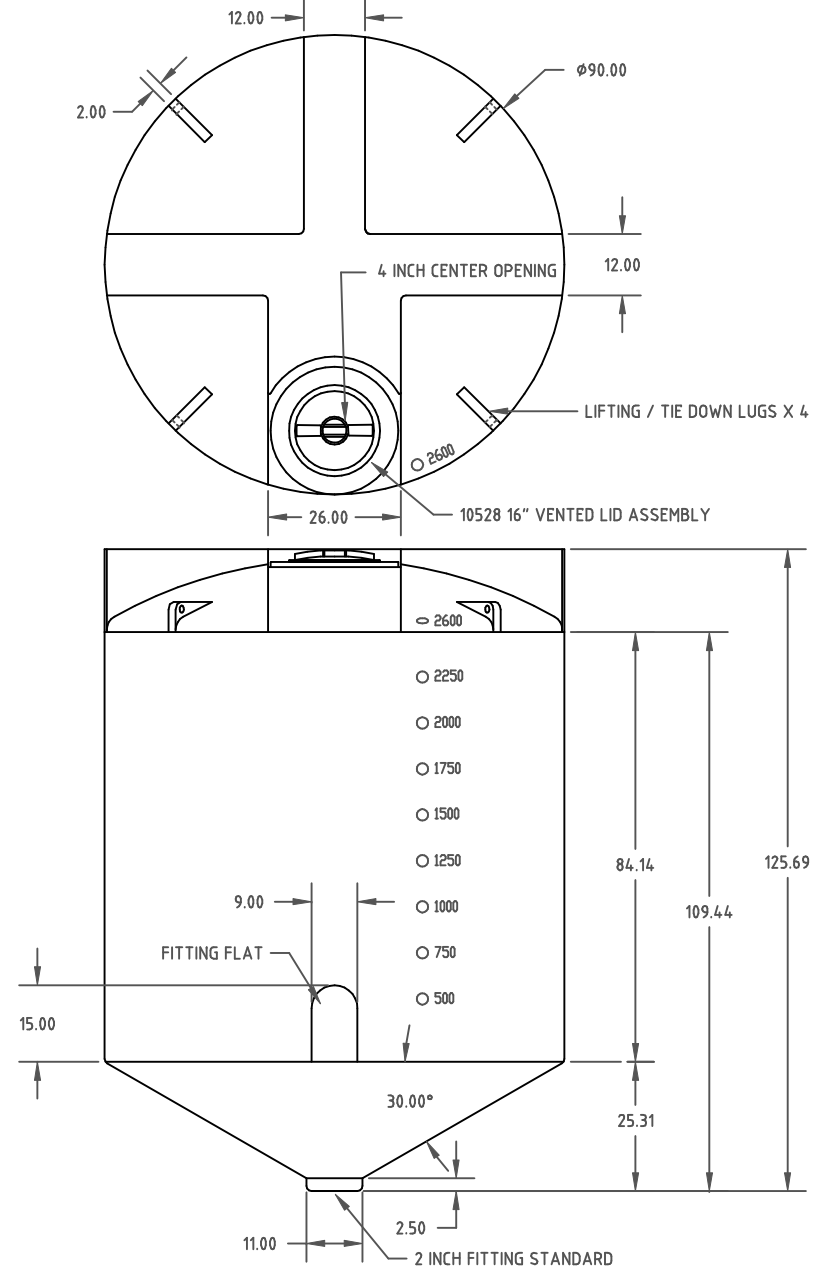


Copyright. All information furnished within this document, electronic file or design correspondence is the property of Den Hartog industries, Inc. and shall not be used, disclosed to others or copied without the expressed written consent of Den Hartog Industries, Inc.



REV	DESCRIPTION	BY / DATE	CCN

DRAWN / DATE DHJ 1/5/11
APPRD. / DATE REH 2/2/11
SHOT WEIGHT: 500 LBS.
SHIPPING WEIGHT: 502 LBS.
FINISH:

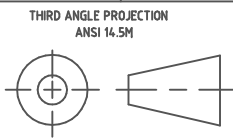
MATERIAL 10420
NOTES: 1. THICKNESS @ BOTTOM SIDEWALL .390



**Den Hartog**  
INDUSTRIES, INC.

Ace Roto-Mold Injection Molding Blow Molding Sow Joy  
4010 HOSPERS DRIVE S. BOX 425, HOSPERS, IOWA 51238-0425

DESCRIPTION 2550 GAL. 90" DIA. X φ 30° CONE BOTTOM TANK W/ INDUSTRIAL TOP	SCALE N.S.	PART NO. CB2550-90
--	---------------	-----------------------



ALL DIMENSIONS ARE IN DECIMAL INCHES  
TOLERANCES UNLESS OTHERWISE SPECIFIED

POLYETHYLENE ±1% @ 68° F	METAL DECIMAL ± .125" FRACTION ± 1/4" ANGLE ± 1°
-----------------------------	---