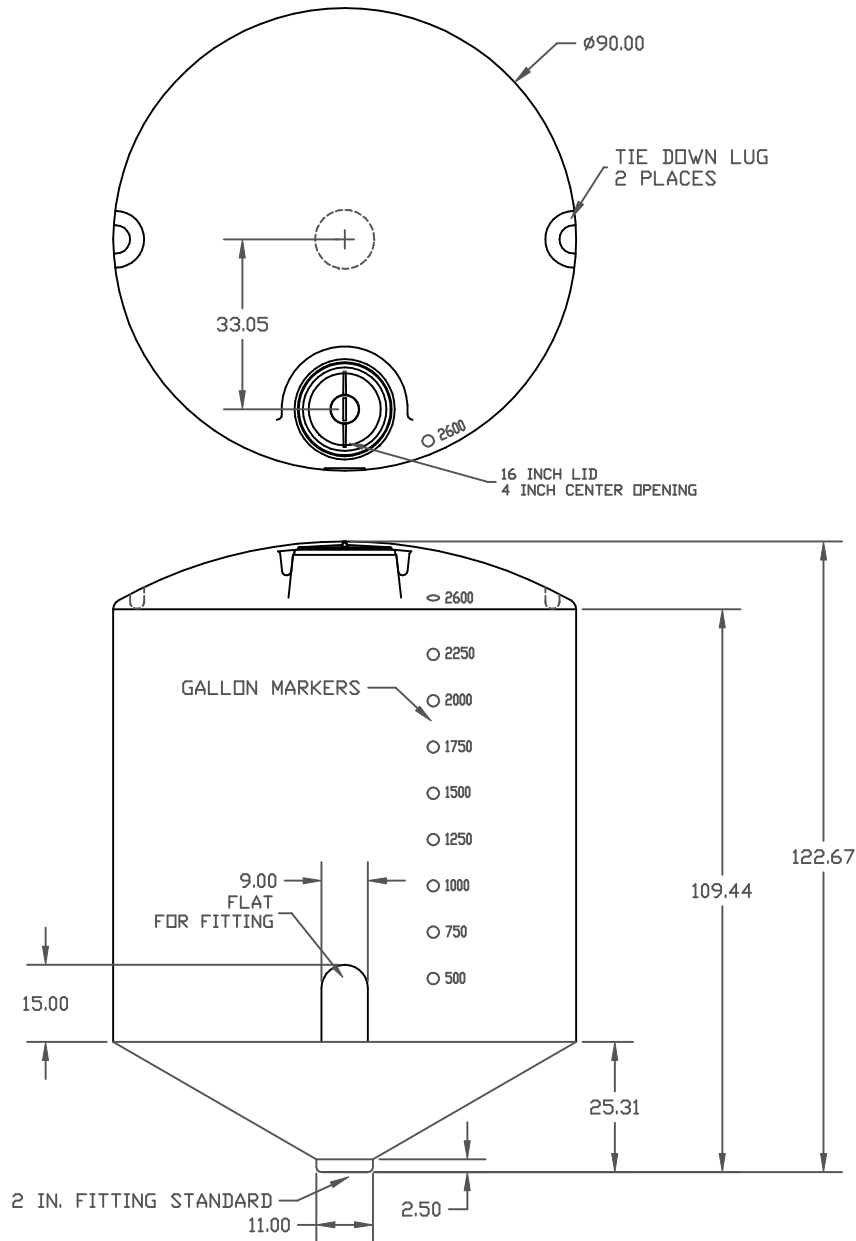


PROPRIETARY DATA

PROPERTY OF DEN HARTOG INDUSTRIES, INC. INFORMATION FURNISHED HEREIN IS THE PROPERTY OF DEN HARTOG INDUSTRIES, INC. AND SHALL NOT BE USED, DISCLOSED TO OTHERS, OR COPIED WITHOUT THE EXPRESSED WRITTEN CONSENT OF DEN HARTOG INDUSTRIES, INC. ALL RIGHTS RESERVED.

CB2600-90

A




A	ISOLATED TANK AND STAND	6/13/06	NVE	APPRD. / DATE	REH 4/18/07
REV	DESCRIPTION	DATE	APPRD		
ALL DIMENSIONS ARE IN DECIMAL INCHES TOLERANCES UNLESS OTHERWISE SPECIFIED $\pm$ 1% @ 68° F					

THIRD ANGLE PROJECTION  
ANSI 14.5M

MATERIAL  
HDPE OR EQUIVALENT

NOTES:  
1. SHOT WEIGHT 500 LBS.



**Ace Roto-Mold**  
A DIVISION OF DEN HARTOG INDUSTRIES, INC.  
4010 HWY. 60 BLVD., BOX 425, HOSPERS, IOWA 51238

CLIENT / DESCRIPTION  
2600 GALLON CONE BOTTOM  
TANK 30 DEG

SCALE  
N.S.

PART NO.  
CB2600-90