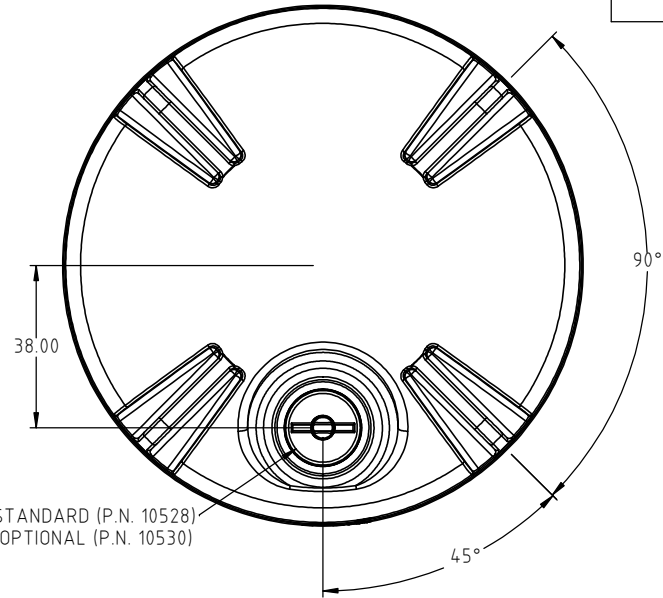
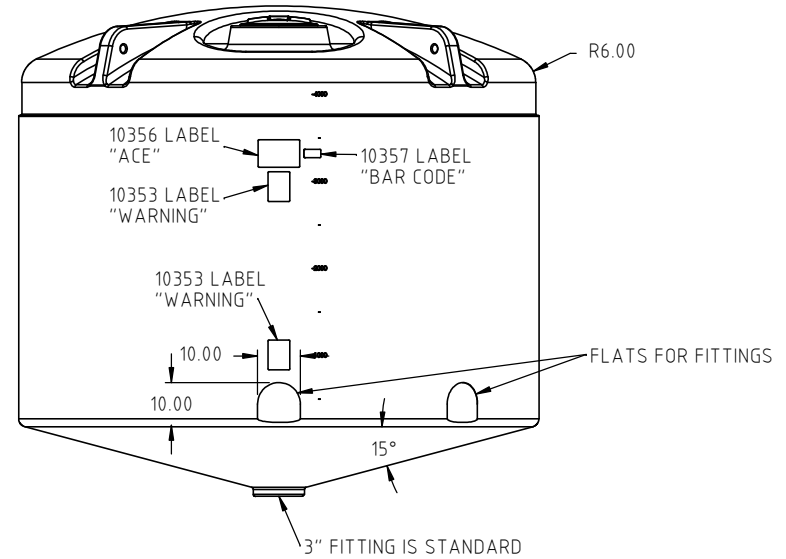
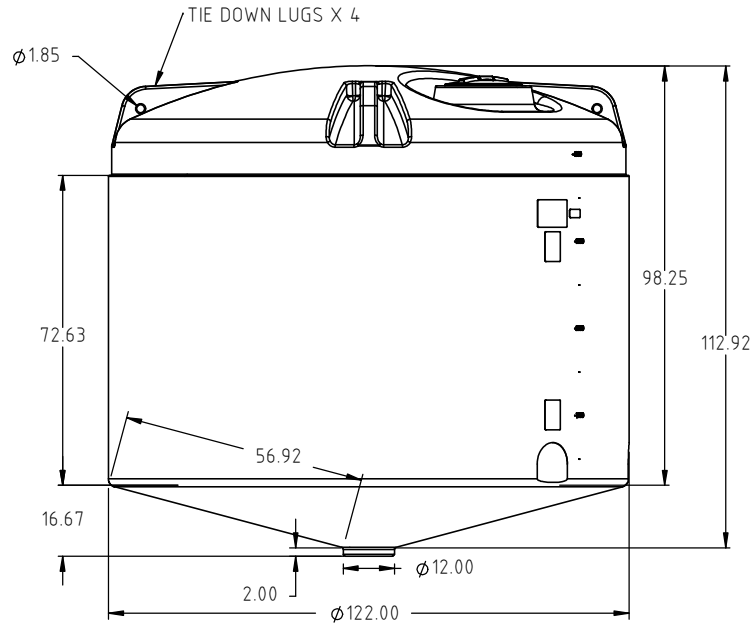


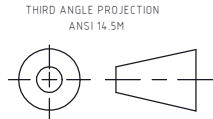
Copyright. All information furnished within this document, electronic file or design correspondence is the property of Den Hartog industries, Inc. and shall not be used, disclosed to others or copied without the expressed written consent of Den Hartog Industries, Inc.



16" LID ASSEMBLY STANDARD (P.N. 10528)
22" LID ASSEMBLY OPTIONAL (P.N. 10530)



				DRAWN / DATE DHJ 1/26/12	MATERIAL 10538
				APPROD. / DATE REH 2/11/14	
REV	DESCRIPTION	BY / DATE	CCN	SHOT WEIGHT: 1100 LBS	NOTES: 1.) 0.52" NOM. WALL
	ALL DIMENSIONS ARE IN DECIMAL INCHES TOLERANCES UNLESS OTHERWISE SPECIFIED			SHIPPING WEIGHT: 1102 LBS.	
	POLYETHYLENE			FINISH:	
	±1% @ 68°F				
	METAL DECIMAL ± .125" FRACTION ± 1/4" ANGLE ± 1°				



Den Hartog
INDUSTRIES, INC.

Ace Roto-Mold Injection Molding Blow Molding Sowjoy

4010 HOSPERS DRIVE S. BOX 425, HOSPERS, IOWA 51238-0425

DESCRIPTION	4200 GALLON 122" X 15 DEG. CONE BOTTOM TANK	
SCALE	N.S.	PART NO. CB4200-122