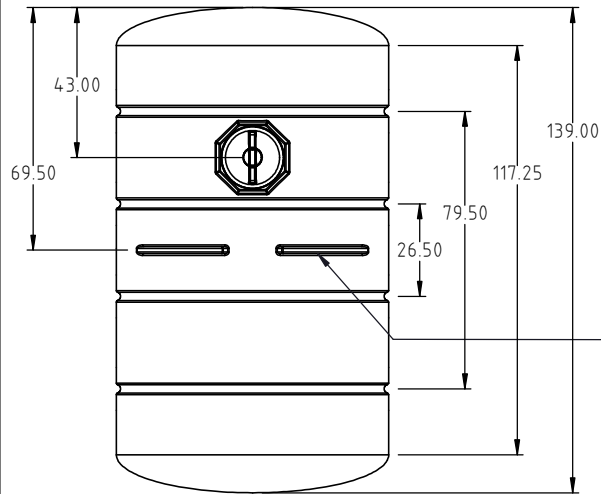
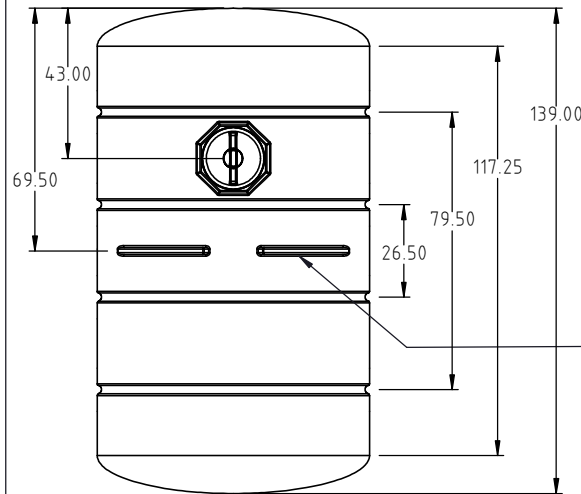


Copyright. All information furnished within this document, electronic file or design correspondence is the property of Den Hartog Industries, Inc. and shall not be used, disclosed to others or copied without the expressed written consent of Den Hartog Industries, Inc.



FM1610-78C
CENTER DRAIN SUMP

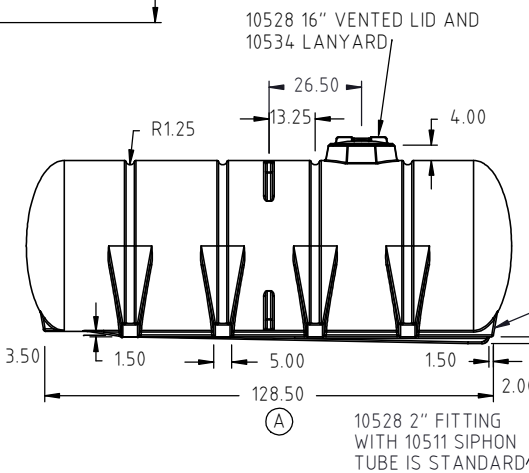
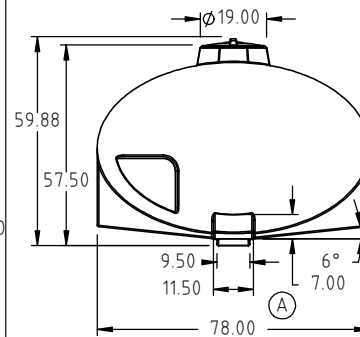
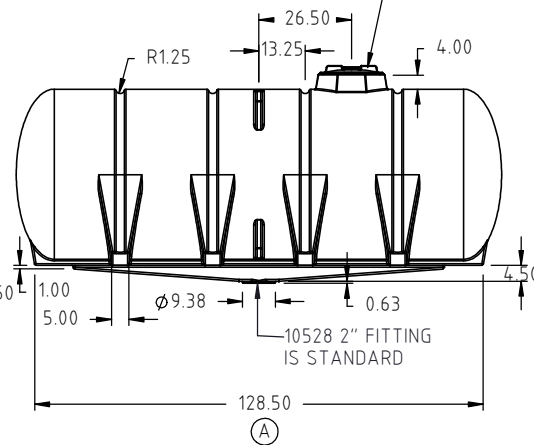
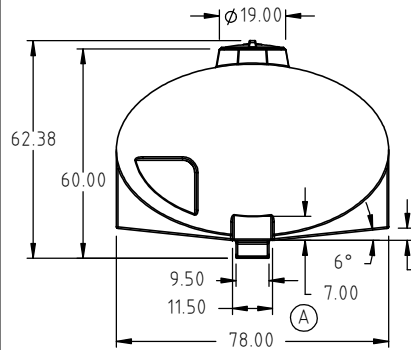
BAFFLE KEYS 4 PLACES
INSTALL BAFFLES AND STRUTS
FOR SHIPMENT. SEE FS160-78
BAFFLE ASSEMBLY DIAGRAM.



FM1610-78E
END DRAIN SUMP

BAFFLE KEYS 4 PLACES
INSTALL BAFFLES AND STRUTS
FOR SHIPMENT. SEE FS160-78
BAFFLE ASSEMBLY DIAGRAM.

10528 16" VENTED LID AND
10534 LANYARD



| | | | | | |
|---|----------------------------|---|------|--|---|
| | | | | DRAWN / DATE ADH 7/1/10 | MATERIAL 10538 |
| A | FITTING FLAT DETAILS ADDED | ADH 1/10/13 | 2561 | APPRD. / DATE REH 7/1/10 | |
| REV | DESCRIPTION | BY / DATE | CCN | | |
| ALL DIMENSIONS ARE IN DECIMAL INCHES TOLERANCES UNLESS OTHERWISE SPECIFIED | | THIRD ANGLE PROJECTION ANSI 14.5M | | SHOT WEIGHT: 490.00 LBS | NOTES: 1.) NOM. WALL @ .375 2.) WHITE OR YELLOW COLOR |
| POLYETHYLENE ±1% @ 68°F | | METAL DECIMAL ± .125" FRACTION ± 1/4" ANGLE ± 1° | | SHIPPING WEIGHT: 530.00 LBS. (INC. BAFFLES) | FINISH: |



Den Hartog
INDUSTRIES, INC.

Ace Roto-Mold Injection Molding Blow Molding Sowjoy

4010 HOSPERS DRIVE S. BOX 425, HOSPERS, IOWA 51238-0425

| | |
|-------------------------------------|-----------------------|
| DESCRIPTION 1610 GALLON LEG TANK | |
| SCALE N.S. | PART NO. FM1610-78 |