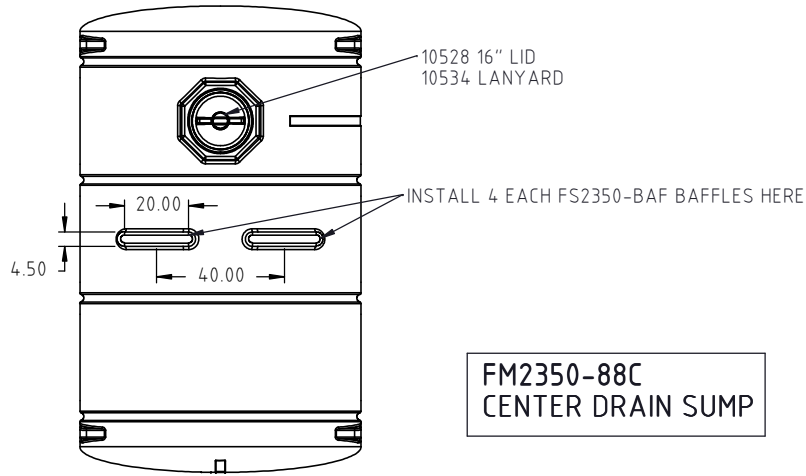
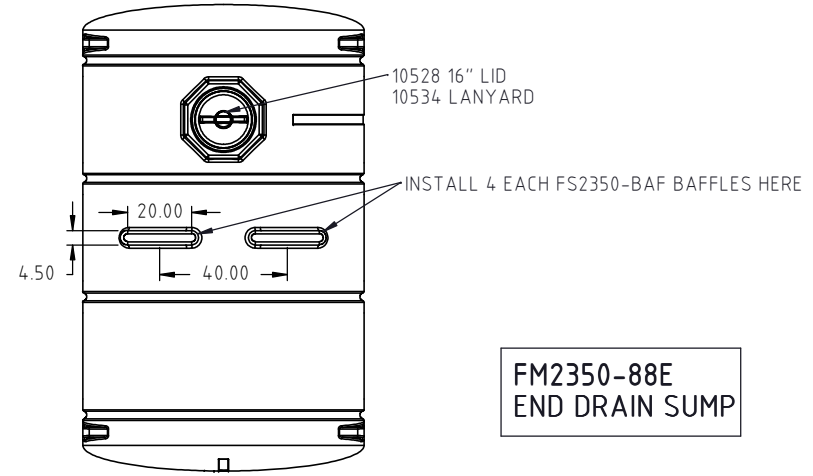


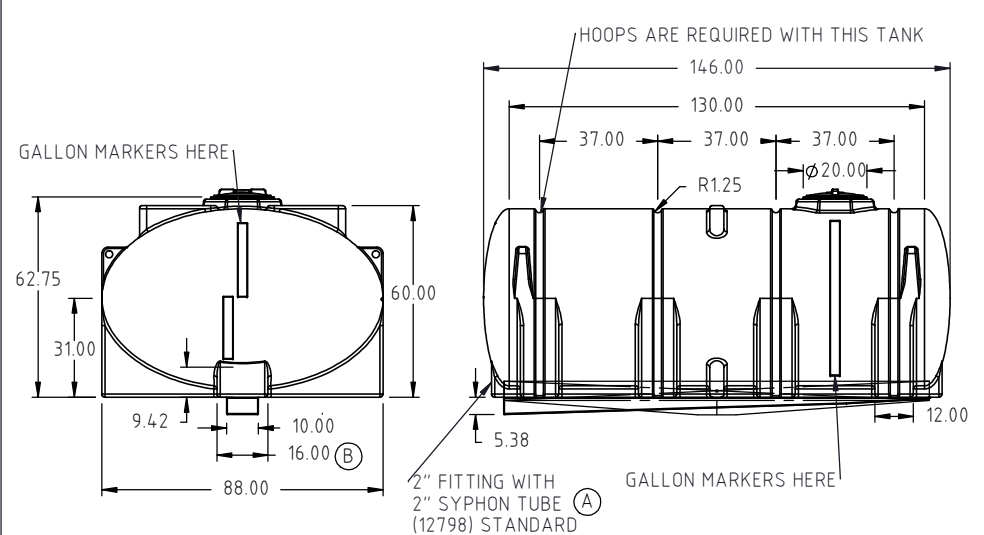
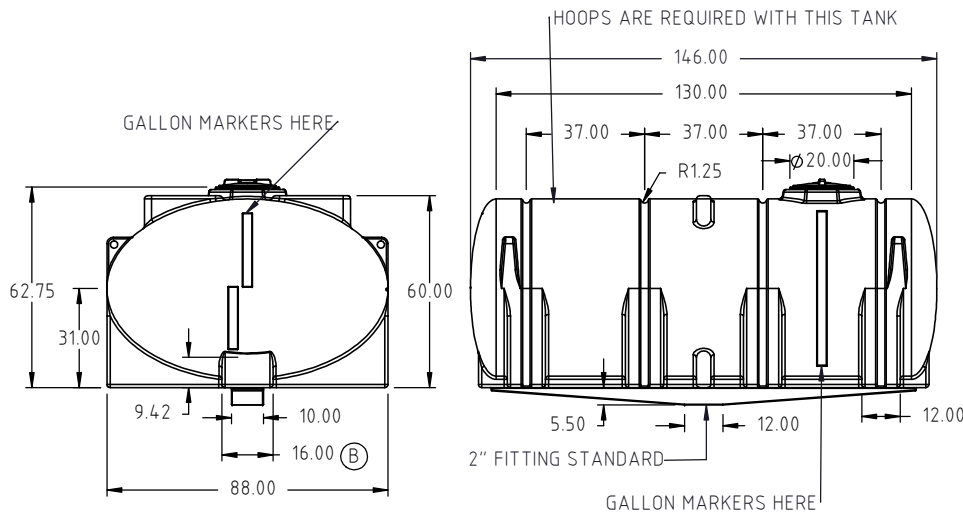
Copyright. All information furnished within this document, electronic file or design correspondence is the property of Den Hartog industries, Inc. and shall not be used, disclosed to others or copied without the expressed written consent of Den Hartog Industries, Inc.



**FM2350-88C
CENTER DRAIN SUMP**



**FM2350-88E
END DRAIN SUMP**



C	1/27/12 WAS INCORRECTLY SHOWN AS 12/27/12.	ADH 11/8/12	2468	DRAWN / DATE	MATERIAL 10538 NATURAL
B	16.00" WAS 12.00" (C)	ADH 1/27/12	2358	ADH 4/13/10	
A	SYPHON TUBE NOTE UPDATED	ADH 5/9/11	2212	APPRD. / DATE	
REV	DESCRIPTION	BY / DATE	CCN	REH 4/19/10	
ALL DIMENSIONS ARE IN DECIMAL INCHES TOLERANCES UNLESS OTHERWISE SPECIFIED		THIRD ANGLE PROJECTION ANSI 14.5M		SHOT WEIGHT: 840 LBS.	NOTES: 1.) 0.480 NOMINAL WALL 2.) BLUE, BLACK, WHITE OR YELLOW COLOR
POLYETHYLENE		METAL DECIMAL ± .125" FRACTION ± 1/4" ANGLE ± 1°		SHIPPING WEIGHT: 920 LBS.	
±1% @ 68°F				FINISH:	



**Den Hartog
INDUSTRIES, INC.**

Acc Roto-Mold Injection Molding Blow Molding Sowjoy

4010 HOSPERS DRIVE S. BOX 425, HOSPERS, IOWA 51238-0425

DESCRIPTION 2350 GALLON ELLIPTICAL LEG TANK WITH SUMP	
SCALE N.S.	PART NO. FM2350-88