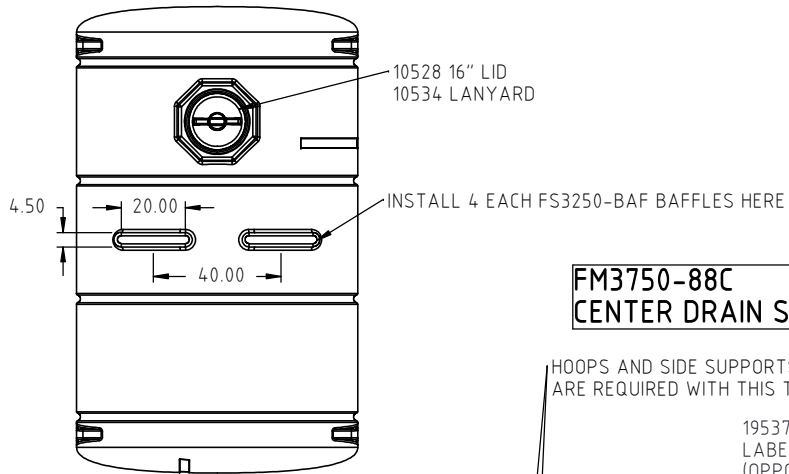
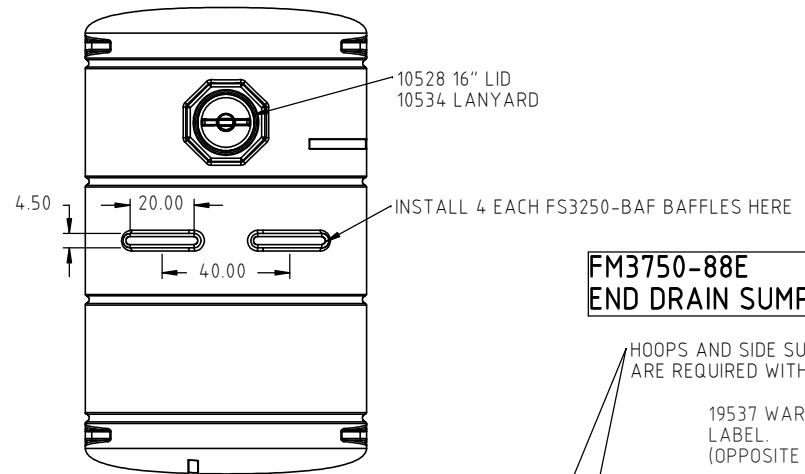


Copyright. All information furnished within this document, electronic file or design correspondence is the property of Den Hartog industries, Inc. and shall not be used, disclosed to others or copied without the expressed written consent of Den Hartog Industries, Inc.



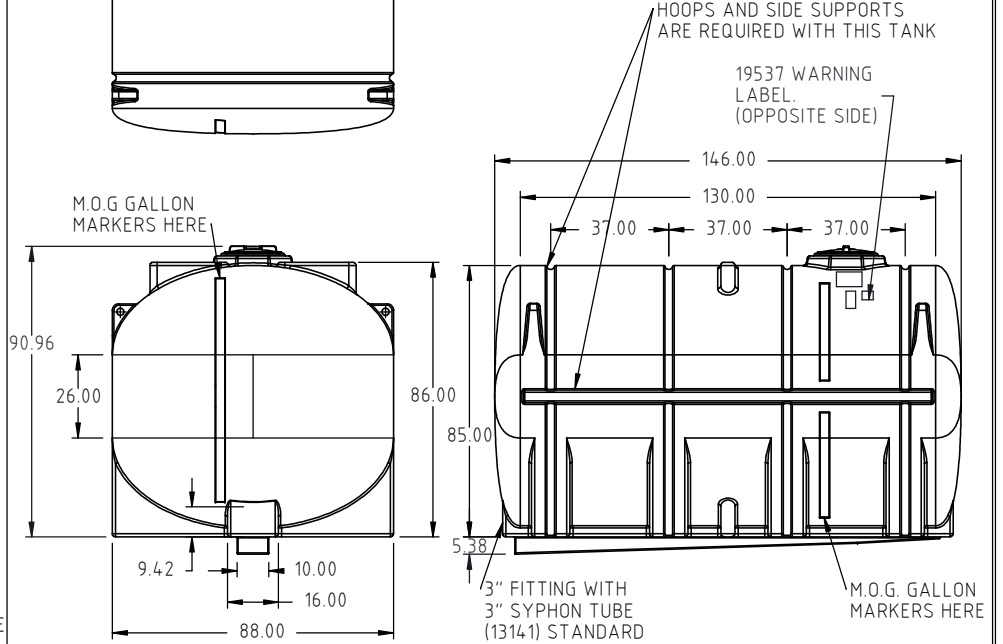
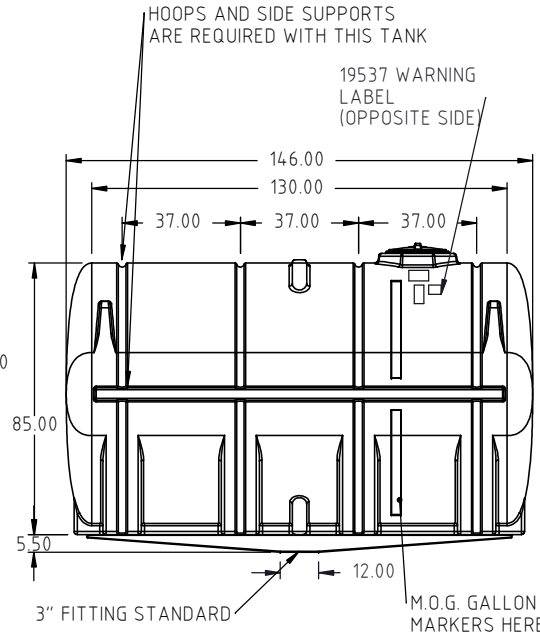
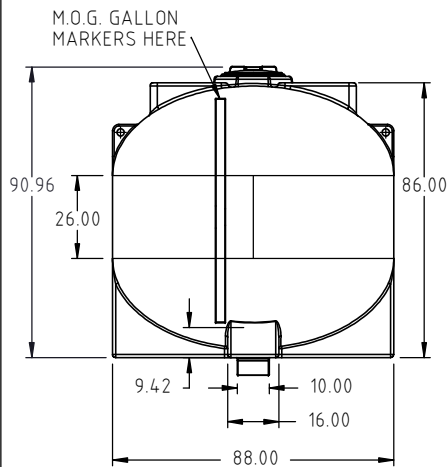
**FM3750-88C  
CENTER DRAIN SUMP**



**FM3750-88E  
END DRAIN SUMP**

HOOPS AND SIDE SUPPORTS  
ARE REQUIRED WITH THIS TANK

19537 WARNING  
LABEL  
(OPPOSITE SIDE)



HOOPS AND SIDE SUPPORTS  
ARE REQUIRED WITH THIS TANK

19537 WARNING  
LABEL  
(OPPOSITE SIDE)

REV	DESCRIPTION	BY / DATE	CCN	DRAWN / DATE ADH 10/25/11	MATERIAL 10538 NATURAL
				APPRD. / DATE REH 7/18/12	
				SHOT WEIGHT: 1290 LBS.	NOTES: 1.) 0.580 NOMINAL WALL 2.) BLUE, BLACK, WHITE OR YELLOW COLOR
				SHIPPING WEIGHT: 1422 LBS.	
				FINISH:	
ALL DIMENSIONS ARE IN DECIMAL INCHES TOLERANCES UNLESS OTHERWISE SPECIFIED		THIRD ANGLE PROJECTION ANSI 14.5M			
POLYETHYLENE		METAL DECIMAL ± .125" FRACTION ± 1/4" ANGLE ± 1°			
±1% @ 68°F					



**Den Hartog**  
INDUSTRIES, INC.

Acc Roto-Mold Injection Molding Blow Molding Sowjoy

4010 HOSPERS DRIVE S. BOX 425, HOSPERS, IOWA 51238-0425

DESCRIPTION 3750 GALLON ELLIPTICAL LEG TANK WITH SUMP

SCALE N.S.

PART NO. FM3750-88