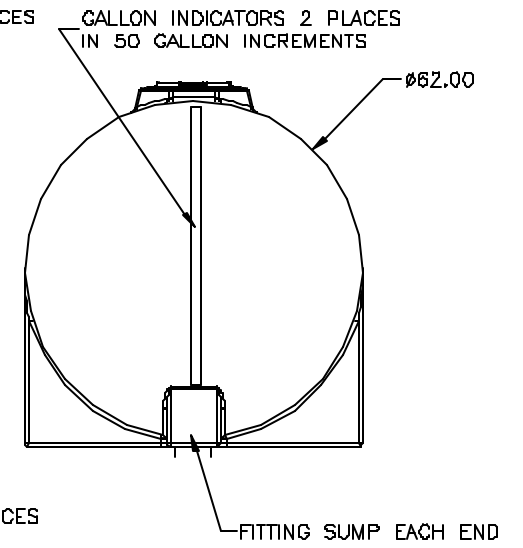
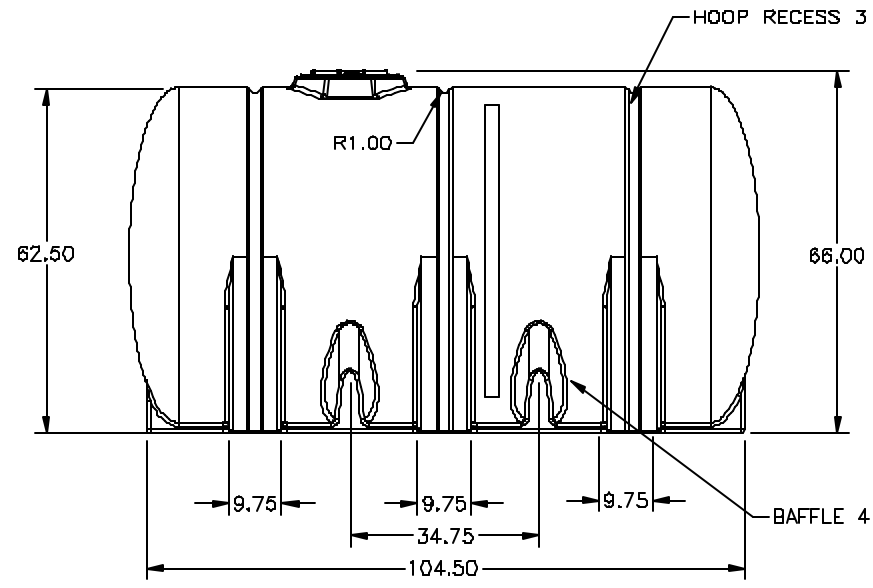
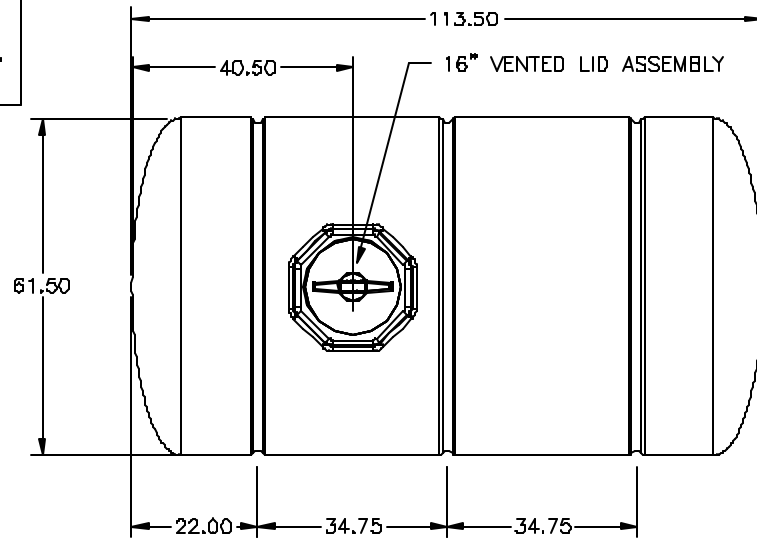


PROPRIETARY DATA

PROPERTY OF ACE FOTO-MOLD MFG., INC. INFORMATION FURNISHED HEREIN IS THE PROPERTY OF ACE FOTO-MOLD MFG., INC. AND SHALL NOT BE USED, DISCLOSED TO OTHERS, OR COPIED WITHOUT THE EXPRESSED WRITTEN CONSENT OF ACE FOTO-MOLD MFG., INC. ALL RIGHTS RESERVED.

FS1300-DW



NOTE: 3 HOOPS ARE REQUIRED ON THIS TANK

| REV | DESCRIPTION | DATE | APPRD |
|-----|-------------|------|-------|
| | | | |

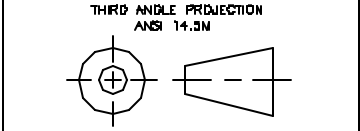
DRAWN / DATE
REH/04/27/01

APPRD. / DATE
REH/04/27/01

MATERIAL:
425 LB. HDPE

ACE FOTO-MOLD
A DIVISION OF DEN HARTOG INDUSTRIES, INC.
4010 HWY. 60 BLVD., BOX 425 HOSPERS, IOWA 5123B

ALL DIMENSIONS ARE IN DECIMAL INCHES
TOLERANCES UNLESS OTHERWISE SPECIFIED
± 1% @ 68° F



- NOTES:
1. AVAILABLE IN NATURAL OR YELLOW COLOR.
 2. NOM. WALL -.400

CLIENT / DESCRIPTION
1300 GAL. FREE STANDING LEG TANK

SCALE: N.S. PART NO.: FS1300-DW