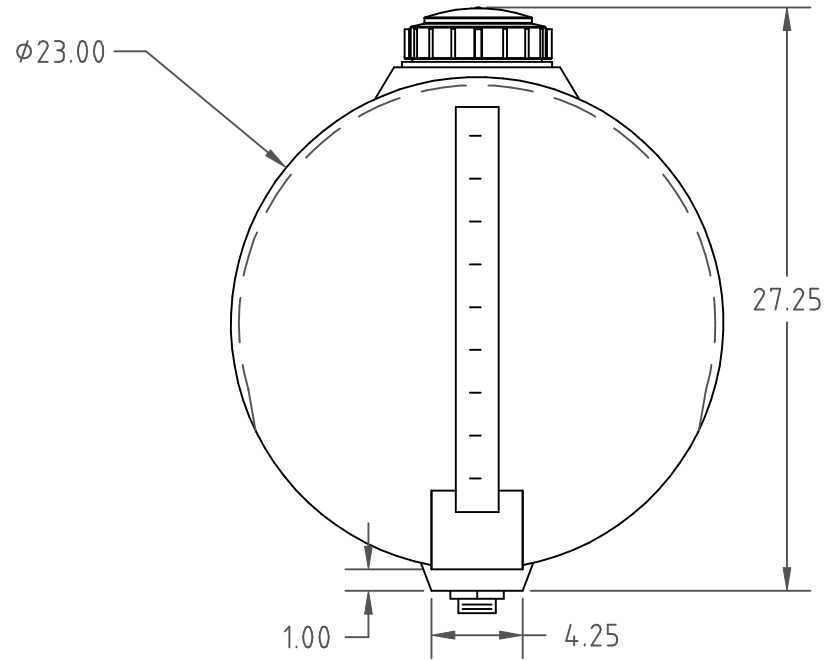
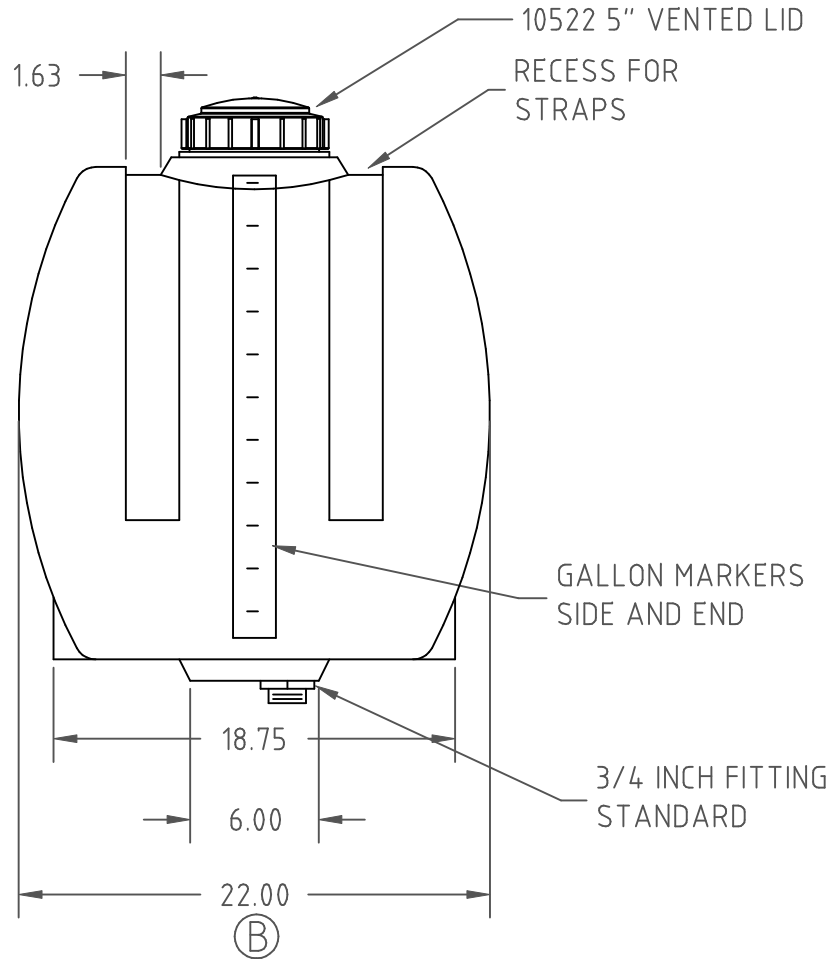


PROPRIETARY DATA

HZ0025-23

B

PROPERTY OF ACE ROTO-MOLD MFG., INC. INFORMATION FURNISHED HEREIN IS THE PROPERTY OF ACE ROTO-MOLD MFG., INC. AND SHALL NOT BE USED, DISCLOSED TO OTHERS, OR COPIED WITHOUT THE EXPRESSED WRITTEN CONSENT OF ACE ROTO-MOLD MFG., INC. ALL RIGHTS RESERVED.



B	UPDATE DIMENSION	3/28/07	DRAWN / DATE	DHJ 9/16/04	MATERIAL
A	UPDATE FITTING	9/5/06	APPRD. / DATE	DHJ 9/16/04	MDPE OR EQUIVALENT REFERENCE MATERIAL DATA SHEET FOR SPECIFIC PROPERTIES.
REV	DESCRIPTION	DATE	APPRD		
ALL DIMENSIONS ARE IN DECIMAL INCHES TOLERANCES UNLESS OTHERWISE SPECIFIED ± 1% @ 68° F			THIRD ANGLE PROJECTION ANSI 14.5M 		NOTES: 1. NOM. WALL @ .200 2. BLACK OR NATURAL COLOR 3. SHOT WEIGHT 14 LBS.



ACE ROTO-MOLD
 A DIVISION OF DEN HARTOG INDUSTRIES, INC.
 4018 HWY. 60 BLVD., BOX 421, HOSPERS, IOWA 51238

CLIENT / DESCRIPTION	
25 GALLON HORIZONTAL TANK	
SCALE	PART NO.
N.S.	HZ0025-23