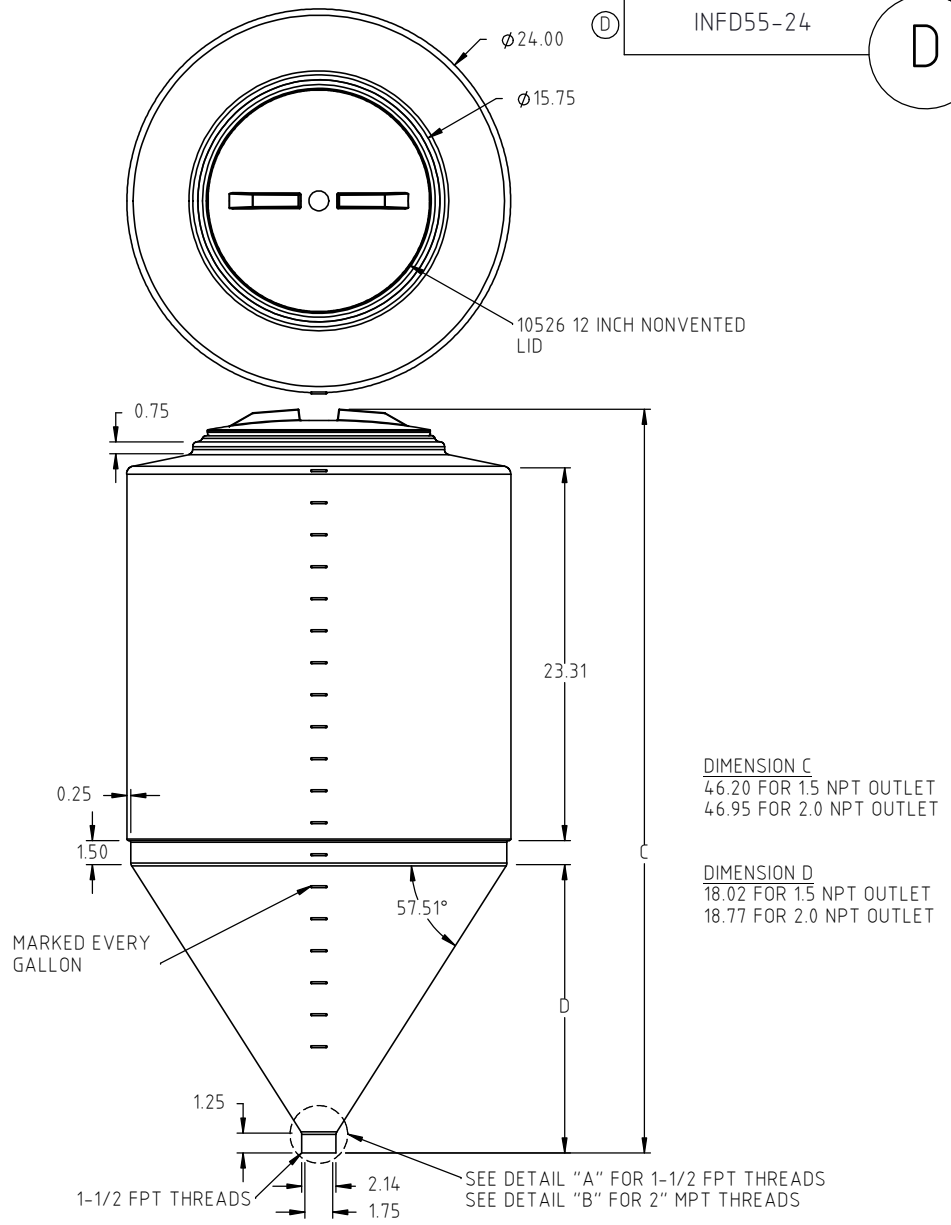
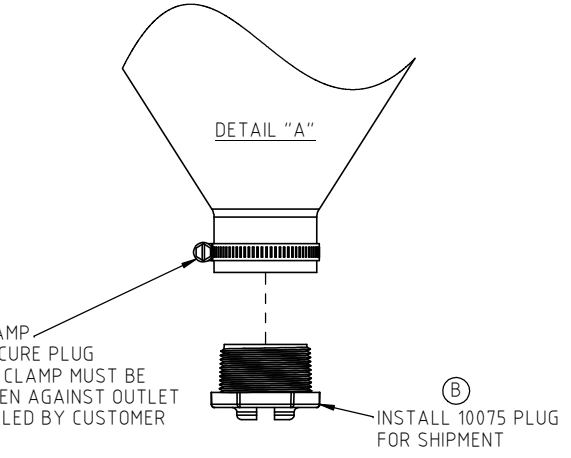
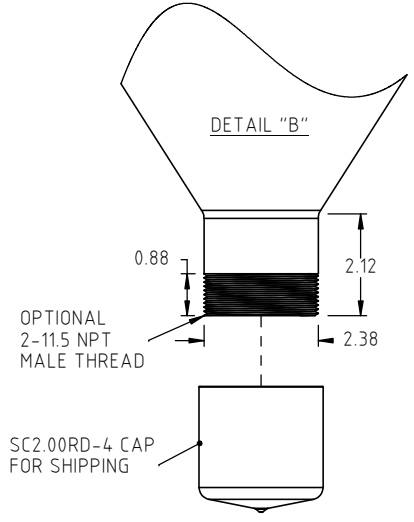



Copyright. All information furnished within this document, electronic file or design correspondence is the property of Den Hartog Industries, Inc. and shall not be used, disclosed to others or copied without the expressed written consent of Den Hartog Industries, Inc.



D	55 WAS 60	ADH 12/11/13	2755
C	ADDED 2 INCH MALE THREAD OPTION	DHJ 8/15/11	2269
B	10075 PLUG WAS 19412	ADH 1/28/08	1579
A	CORRECT PART NUMBER	DHJ 5/24/07	
REV	DESCRIPTION	BY / DATE	CCN

DRAWN / DATE	MATERIAL
DHJ 4/10/05	MEDIUM DENSITY POLYETHYLENE
APPRD. / DATE	
ADH 3/14/06	



Den Hartog

INDUSTRIES, INC.

Ace Roto-Mold Injection Molding Blow Molding Sowjoy

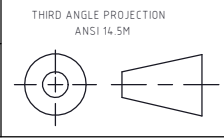
4010 HOSPERS DRIVE S. BOX 425, HOSPERS, IOWA 51238-0425

DESCRIPTION	
55 GALLON INDUCTOR (FULL DRAIN)	
SCALE	PART NO.
N.S.	INFD55-24

ALL DIMENSIONS ARE IN DECIMAL INCHES TOLERANCES UNLESS OTHERWISE SPECIFIED

POLYETHYLENE ±1% @ 68°F

METAL DECIMAL ±.125" FRACTION ± 1/4" ANGLE ± 1°



SHOT WEIGHT:	22.00 LBS
SHIPPING WEIGHT:	24.00 LBS
FINISH:	

NOTES:

1.) 0.22 NOM. WALL