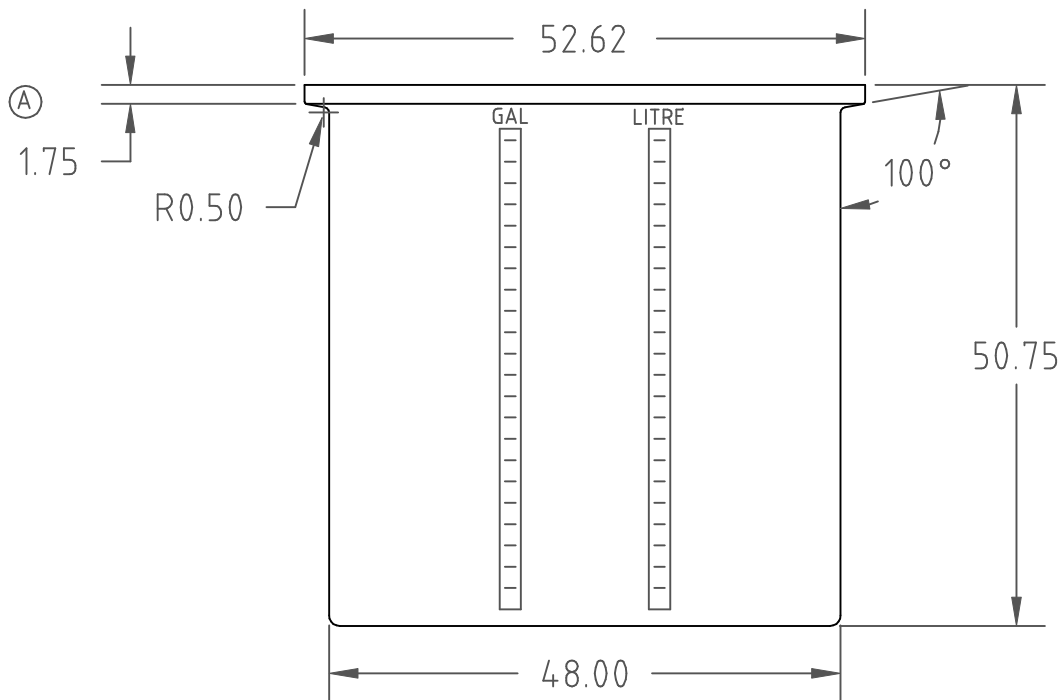
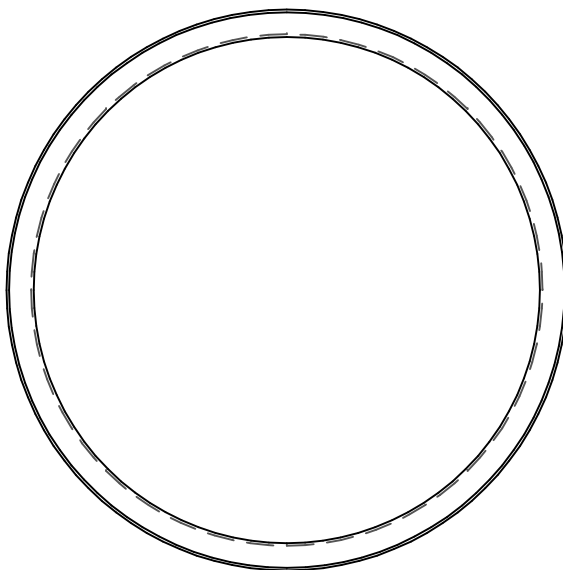


PROPRIETARY DATA

OP0360-48

C

PROPERTY OF ACE ROTO-MOLD MFG., INC. INFORMATION FURNISHED HEREIN IS THE PROPERTY OF ACE ROTO-MOLD MFG., INC. AND SHALL NOT BE USED, DISCLOSED TO OTHERS, OR COPIED WITHOUT THE EXPRESSED WRITTEN CONSENT OF ACE ROTO-MOLD MFG., INC. ALL RIGHTS RESERVED.



| | | | | | | | |
|---|--------------------------|---------|-------|---------|--|---|---|
| C | WEIGHT WAS 84 | 8/19/08 | DHJ | CCN1675 | DRAWN / DATE | MATERIAL | |
| B | WAS OP0360-46 CCN 14.08 | 8/1/07 | REH | | DHJ/6/2/03 | HDPE OR EQUIVALENT REFERENCE MATERIAL DATA SHEET FOR SPECIFIC PROPERTIES. | |
| A | TOP LID WAS 1" NOW 1.75" | 1/31/05 | | | APPRD. / DATE | | |
| REV | DESCRIPTION | DATE | APPRD | CCN | ADH 11/14/07 | | |
| ALL DIMENSIONS ARE IN DECIMAL INCHES TOLERANCES UNLESS OTHERWISE SPECIFIED \pm 1% @ 68° F | | | | | THIRD ANGLE PROJECTION ANSI 14.5M | | NOTES: 1. .25 NOM. WALL 2. SHOT WEIGHT 115 LBS. (C) |

ACE ROTO-MOLD
 A DIVISION OF DEN HARTOG INDUSTRIES, INC.
 4010 HOSPERS DRIVE SOUTH, BOX 425, HOSPERS, IA 51238

| | | | |
|----------------------|------|--------------------------|---------------|
| CLIENT / DESCRIPTION | | 360 GALLON OPEN TOP TANK | |
| SCALE | N.S. | PART NO. | OP0360-48 (B) |