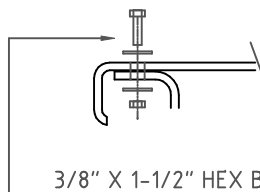
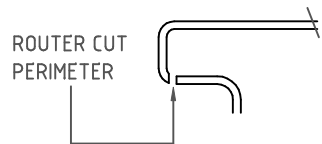
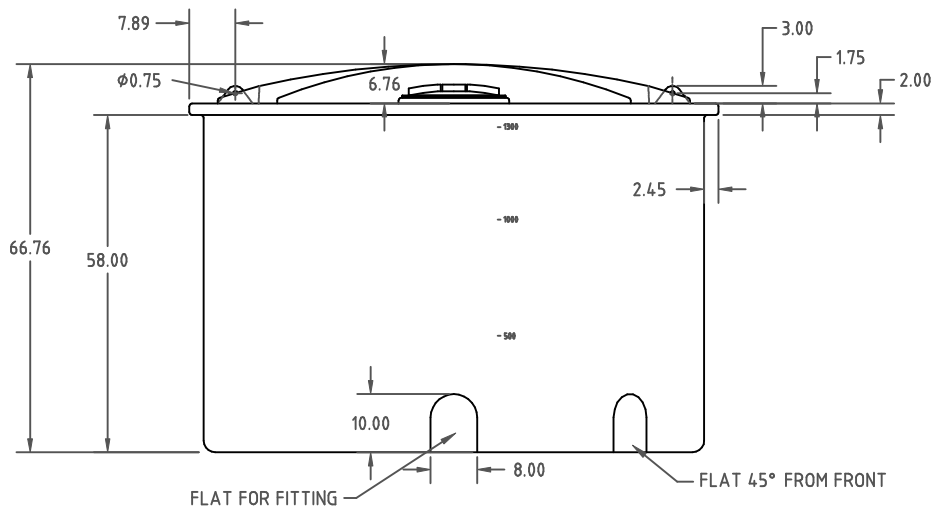
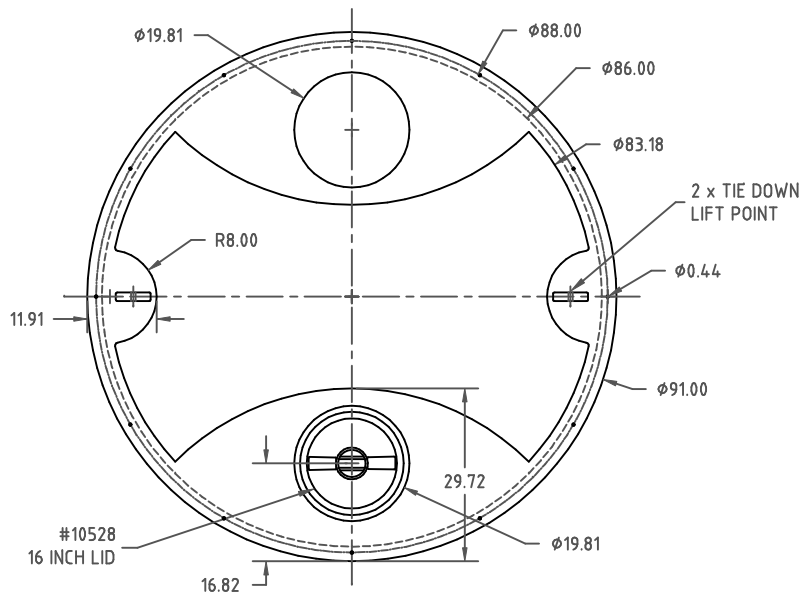


Copyright. All information furnished within this document, electronic file or design correspondence is the property of Den Hartog industries, Inc. and shall not be used, disclosed to others or copied without the expressed written consent of Den Hartog Industries, Inc.

LID TRIM AND FASTENING DETAIL



3/8" X 1-1/2" HEX BOLT, 3/8" FLATWASHERS AND HEX NUT 12 PLACES



REV	DESCRIPTION	BY / DATE	CCN
	ALL DIMENSIONS ARE IN DECIMAL INCHES TOLERANCES UNLESS OTHERWISE SPECIFIED		
	<b>POLYETHYLENE</b>		
	<b>METAL</b> DECIMAL $\pm .125"$ FRACTION $\pm 1/4"$ ANGLE $\pm 1^\circ$		

THIRD ANGLE PROJECTION ANSI 14.5M	
--------------------------------------	--

DRAWN / DATE DHJ 4/29/11	MATERIAL 10420
APPRD. / DATE REH 5/10/11	
SHOT WEIGHT: 228 LBS.	NOTES: 1. .250 THICK AT FITTING
SHIPPING WEIGHT: 230 LBS.	
FINISH:	



**Den Hartog**  
INDUSTRIES, INC.

Ace Roto-Mold Injection Molding Blow Molding Sowjoy  
4010 HOSPERS DRIVE S. BOX 425, HOSPERS, IOWA 51238-0425

DESCRIPTION	1360 GALLON OPEN TOP TANK	
SCALE	N.S.	PART NO. OP1360-86