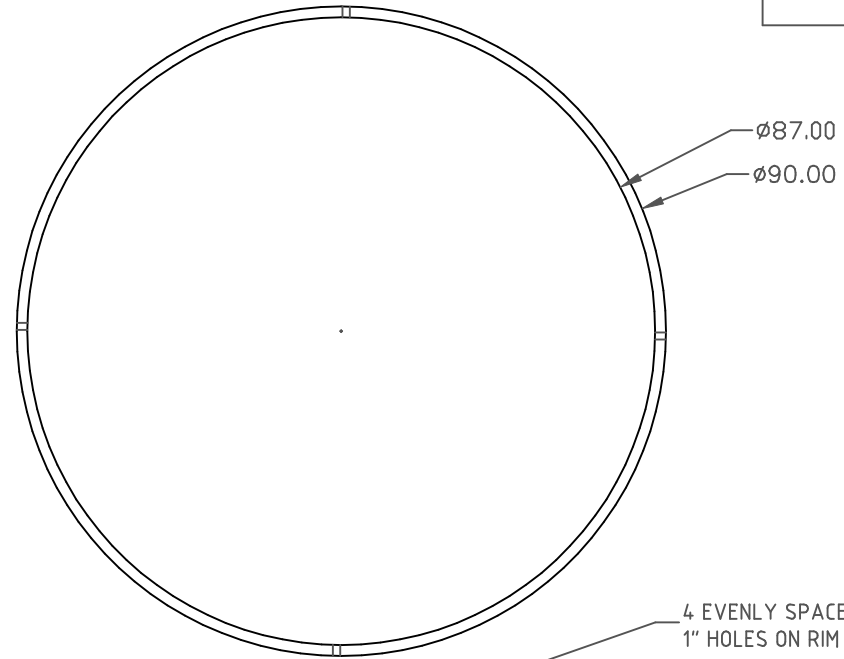


PROPRIETARY DATA

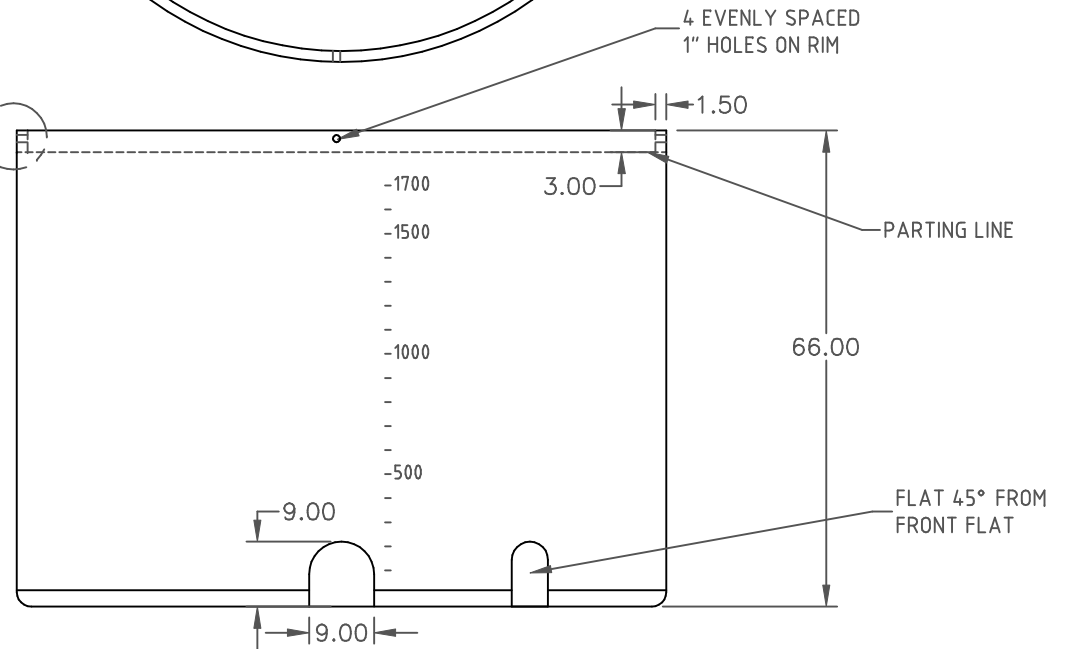
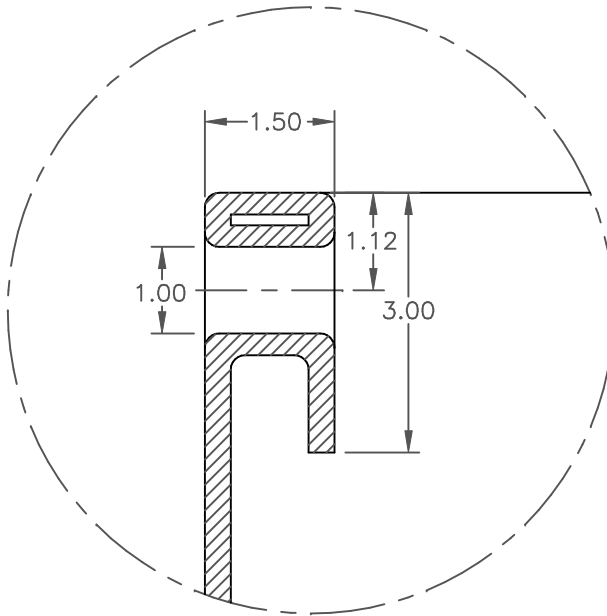
PROPERTY OF ACE ROTO-MOLD MFG., INC. INFORMATION FURNISHED HEREIN IS THE PROPERTY OF ACE ROTO-MOLD MFG., INC. AND SHALL NOT BE USED, DISCLOSED TO OTHERS, OR COPIED WITHOUT THE EXPRESSED WRITTEN CONSENT OF ACE ROTO-MOLD MFG., INC. ALL RIGHTS RESERVED.

OP1700-90


A



DETAIL OF RIM (A)



					DRAWN / DATE NVE 6/13/05		MATERIAL	
					APPRD. / DATE DHJ 6/22/05		HDPE OR EQUIVALENT REFERENCE MATERIAL DATA SHEET FOR SPECIFIC PROPERTIES.	
A	CLARIFY THROUGH HOLE	4/8/08	DHJ	1643				
REV	DESCRIPTION	DATE	APPRD	CCN				
ALL DIMENSIONS ARE IN DECIMAL INCHES TOLERANCES UNLESS OTHERWISE SPECIFIED \pm 1% @ 68° F					THIRD ANGLE PROJECTION ANSI 14.5M		NOTES: 1. .490 THICK AT FITTING 2. WHITE OR COLOR 3. SHOT WEIGHT 317 LBS. 4. SHIP WEIGHT 317 LBS.	



ACE ROTO-MOLD
A DIVISION OF DEN HARTOG INDUSTRIES, INC.
4010 HOSPERS DRIVE SOUTH, BOX 425, HOSPERS, IOWA 51238

CLIENT / DESCRIPTION		1700 GALLON OPEN TOP TANK	
SCALE	N.S.	PART NO.	OP1700-90