

PROPRIETARY DATA

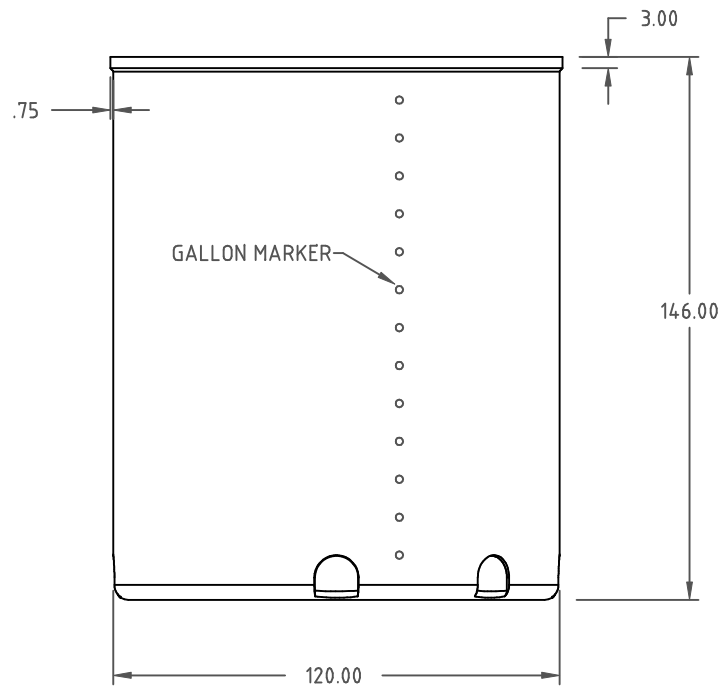
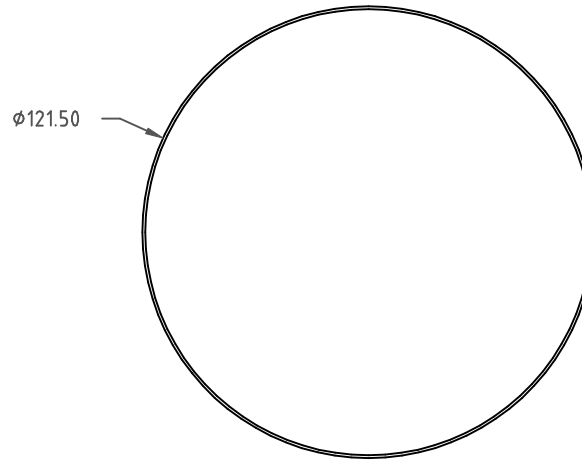
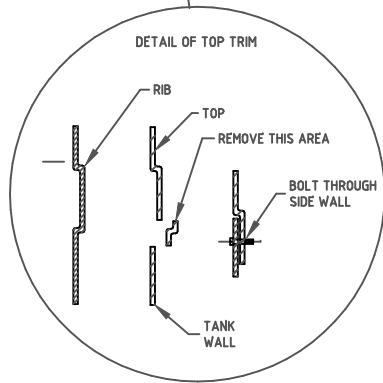
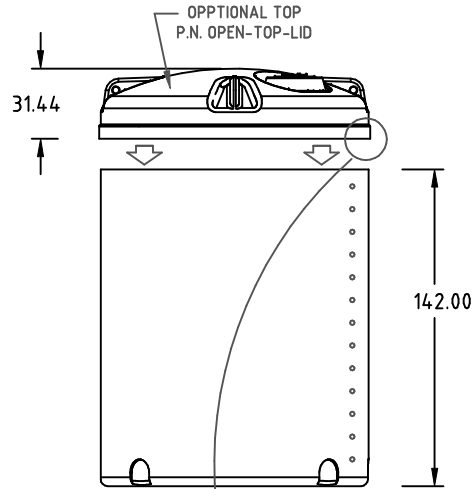
INFORMATION FURNISHED HEREIN IS THE PROPERTY OF DEN HARTOG INDUSTRIES INC. AND SHALL NOT BE USED, DISCLOSED TO OTHERS, OR COPIED WITHOUT EXPRESSED WRITTEN CONSENT OF DEN HARTOG IND. ALL RIGHTS RESERVED.

OP6800-120


A

TANK TOP OPTION

TANK MAY BE CONVERTED FOR A BOLT- ON TOP. CUT TANK AS SHOWN. TANK CAN THEN BE USED IN APPLICATIONS REQUIRING A REMOVEABLE TOP.



				DRAWN /DATE DHJ 5/22/08	MATERIAL
A	REDRAWN TO CLARIFY TOP OPTION	DHJ / 6/12/08	1678	APPRD. /DATE REH 6/12/08	HDPE OR EQUIVALENT REFERENCE MATERIAL DATA SHEET FOR SPECIFIC PROPERTIES
REV	DESCRIPTION	DATE	APPRD.	CCN	
ALL DIMENSIONS ARE IN DECIMAL INCHES TOLERANCES UNLESS OTHERWISE SPECIFIED				THIRD ANGLE PROJECTION ANSI 14.5M	NOTES: 1. 1.00 THICK AT FLATS 2. WEIGHT WITH TOP 1900 LBS. 3. WEIGHT NO TOP 1525 LBS.
± 1 % @ 68°F					



Ace Roto-Mold

A DIVISION OF DEN HARTOG INDUSTRIES, INC.
4010 HOSPERS DRIVE SOUTH, BOX 425, HOSPERS, IOWA 51238

CLIENT / DESCRIPTION

6800 GALLON OPEN TOP

SCALE NONE	PART NO. OP6800-120
---------------	------------------------