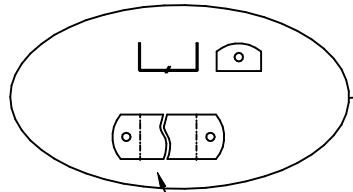


PROPRIETARY DATA

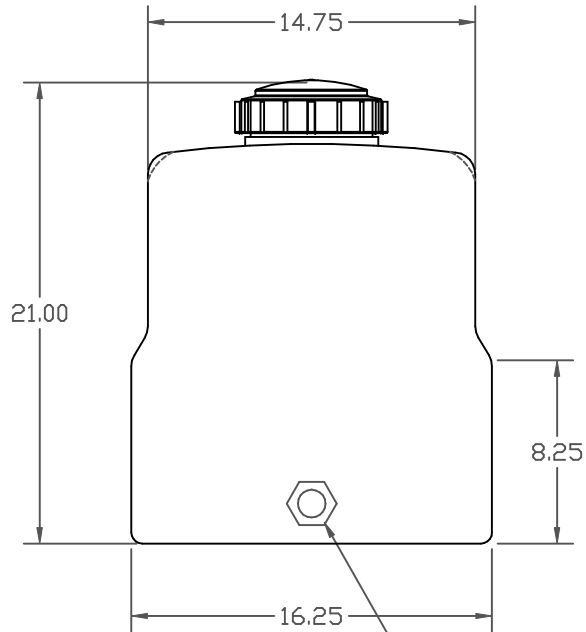
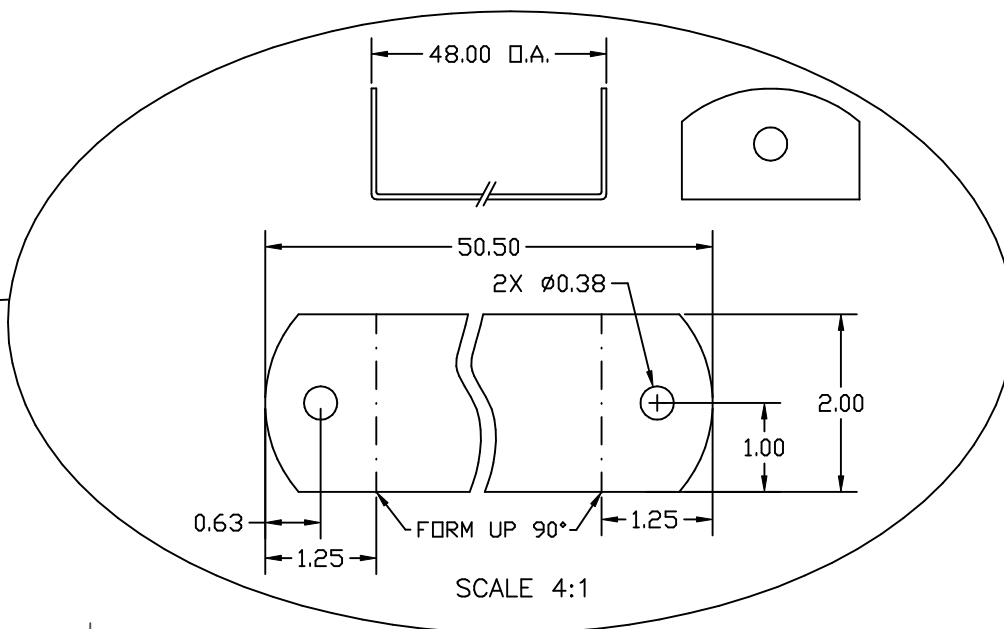
PC0035-16

B

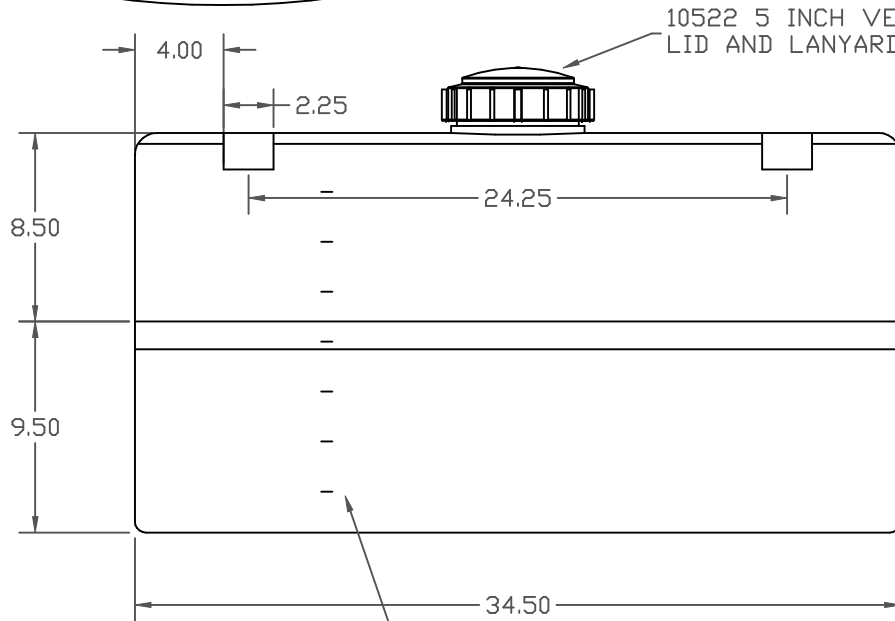
PROPERTY OF DEN HARTOG INDUSTRIES, INC. INFORMATION FURNISHED HEREIN IS THE PROPERTY OF DEN HARTOG INDUSTRIES, INC. AND SHALL NOT BE USED, DISCLOSED TO OTHERS, OR COPIED WITHOUT THE EXPRESSED WRITTEN CONSENT OF DEN HARTOG INDUSTRIES, INC. ALL RIGHTS RESERVED.



OPTIONAL BANDS
2 REQUIRED
PN PC0035-SB
3 LB PER PAIR




1" B.H. FITTING IS STANDARD



MARKED IN GALLONS AND LITERS

B	BAND REDRAWN	8/2/06	NVE	DRAWN / DATE DHJ 5/3/05	MATERIAL TANK: HDPE OR EQUIVALENT BAND: 18GA STAINLESS STEEL
A	ADD BANDS	5/3/05		APPRD. / DATE ADH 11/14/07	
REV	DESCRIPTION	DATE	APPRD		
ALL DIMENSIONS ARE IN DECIMAL INCHES TOLERANCES UNLESS OTHERWISE SPECIFIED $\pm 1\% \text{ @ } 68^\circ \text{ F}$				THIRD ANGLE PROJECTION ANSI 14.5M 	NOTES: 1. TANK NOM. WALL Ø 0.250 2. TANK SHOT WEIGHT 24 LBS.



ACE ROTO-MOLD
A DIVISION OF DEN HARTOG INDUSTRIES, INC.
4010 HWY. 60 BLVD, BOX 425, HOSPERS, IOWA 51238

CLIENT / DESCRIPTION

35 GALLON PCO TANK AND BAND

SCALE	N.S.	PART NO.	PC0035-16
-------	------	----------	-----------