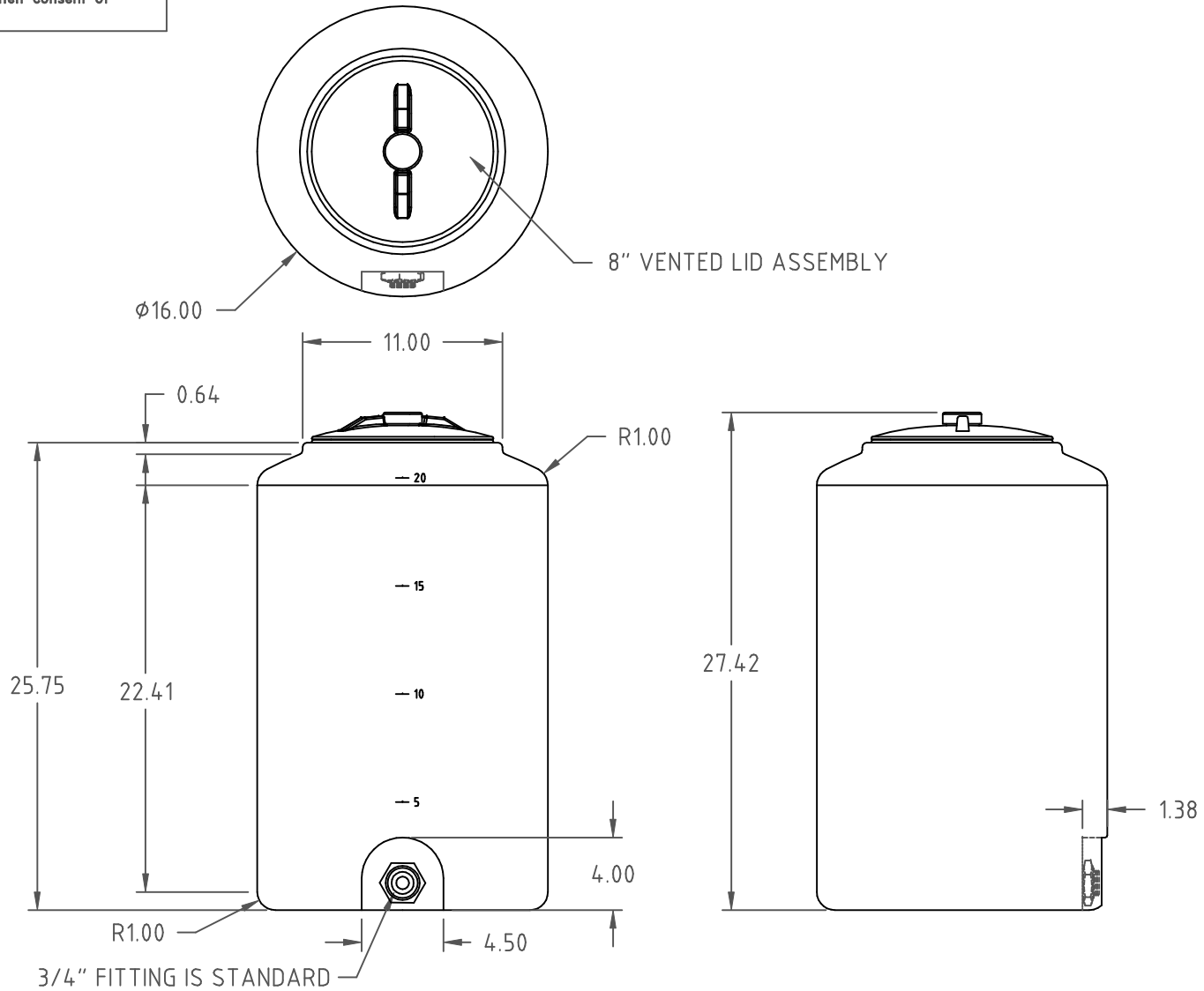
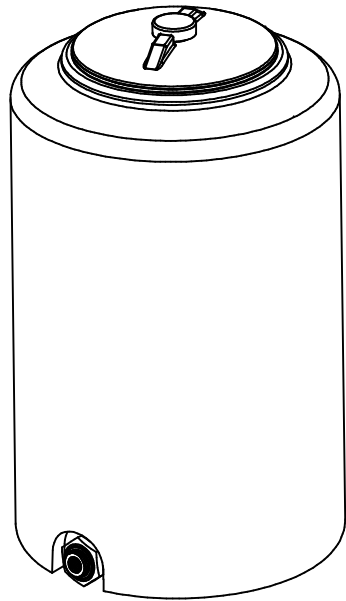


© DEN HARTOG INDUSTRIES, INC.

Copyright. All information furnished within this document, electronic file or design correspondence is the property of Den Hartog Industries, Inc. and shall not be used, disclosed to others or copied without the expressed written consent of Den Hartog Industries, Inc.

VT0020-16



C	REVISED TOLERANCE	CCN1757	11/26/08
B	ADDED FITTING SUMP	1/25/07	
A	CORRECT WEIGHT	9/11/06	
REV	DESCRIPTION	DATE	APPRD

DRAWN / DATE	REH / 10/16/01
APPRD. / DATE	DHJ / 10/26/01

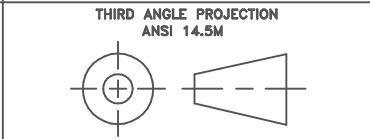
MATERIAL	
	13 LB.

 **Ace Roto-Mold**
 A DIVISION OF DEN HARTOG INDUSTRIES, INC.
 4010 HOSPERS DRIVE S., BOX 425, HOSPERS IA 51238

CLIENT / DESCRIPTION

ALL DIMENSIONS ARE IN DECIMAL INCHES
 TOLERANCES UNLESS OTHERWISE SPECIFIED

© ± 1% @ 68° F



NOTES:
 1. NATURAL COLOR
 2. NOM. WALL .188

20 GALLON VERTICAL TANK	
SCALE	PART NO.
N.S.	VT0020-16