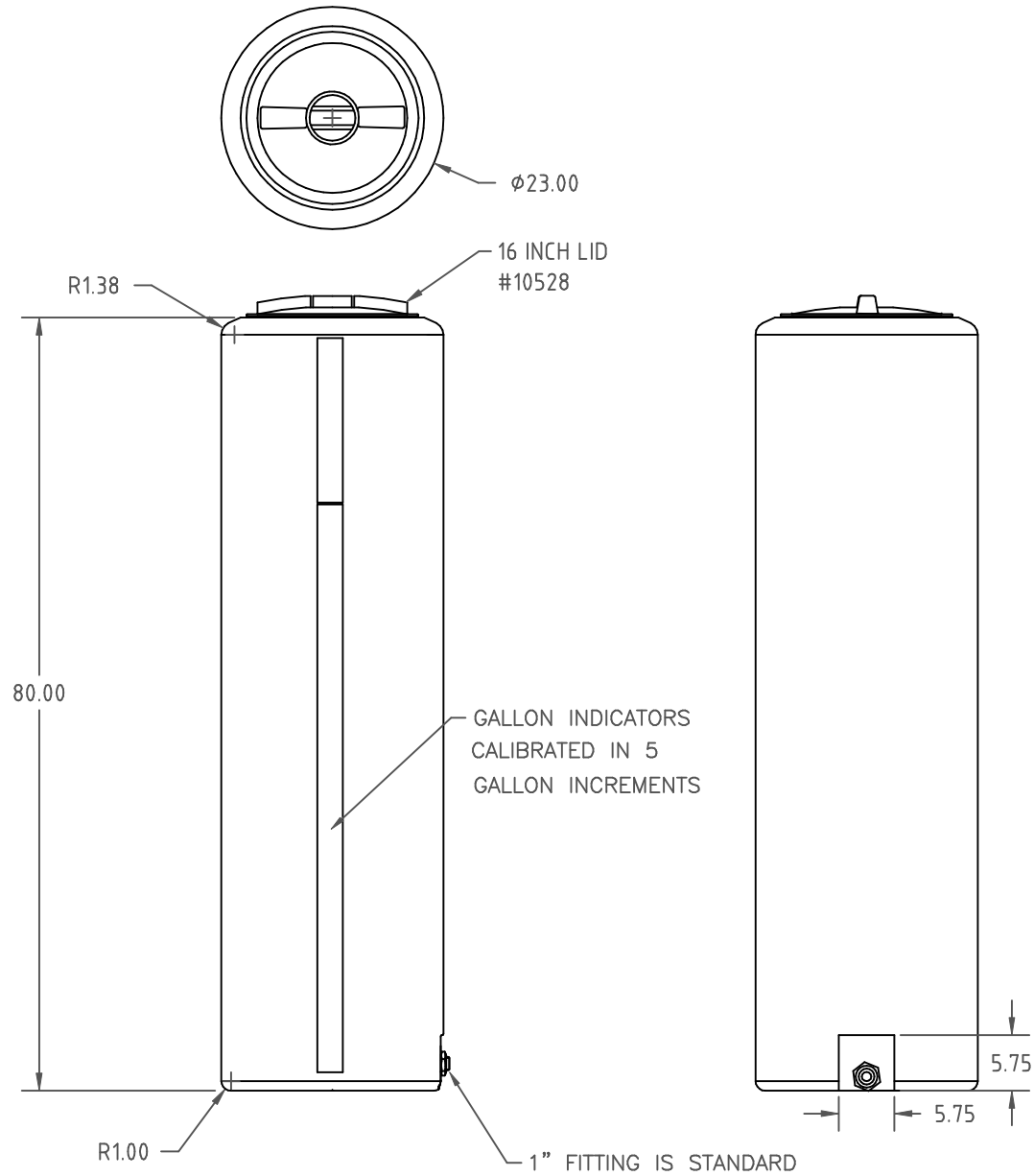
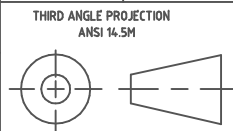



Copyright. All information furnished within this document, electronic file or design correspondence is the property of Den Hartog industries, Inc. and shall not be used, disclosed to others or copied without the expressed written consent of Den Hartog Industries, Inc.



				DRAWN / DATE 7/27/10 DHJ	MATERIAL POLYETHYLENE
				APPRD. / DATE REH 8/16/10	
REV	DESCRIPTION	BY / DATE	CCN	SHOT WEIGHT: 45 LBS.	NOTES: 1. .200 NOM. WALL 2. 2 S.G.
ALL DIMENSIONS ARE IN DECIMAL INCHES TOLERANCES UNLESS OTHERWISE SPECIFIED				SHIPPING WEIGHT: 47 LBS.	
POLYETHYLENE ±1% @ 68° F		METAL DECIMAL ± .125" FRACTION ± 1/4" ANGLE ± 1°		FINISH:	





Den Hartog

INDUSTRIES, INC.

Ace Roto-Mold Injection Molding Blow Molding Sowjoy
4010 HOSPERS DRIVE S. BOX 425, HOSPERS, IOWA 51238-0425

DESCRIPTION		135 GALLON VERTICAL TANK	
SCALE	N.S.	PART NO.	VT0135-23