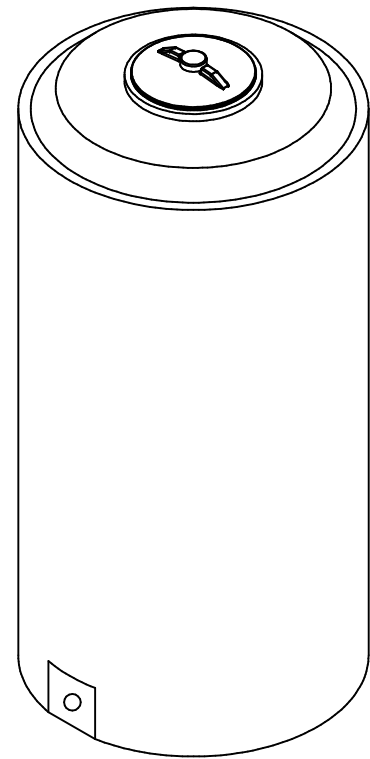
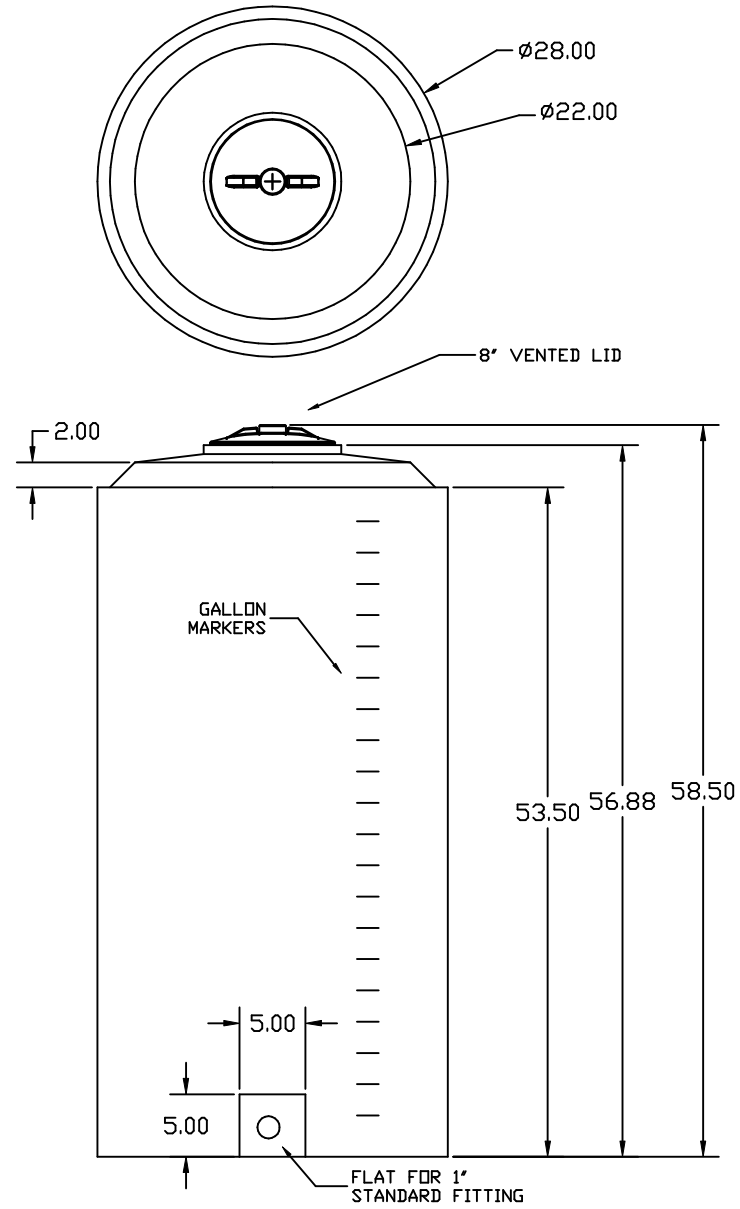


PROPRIETARY DATA

PROPERTY OF ACE ROTO-MOLD MFG., INC. INFORMATION FURNISHED HEREIN IS THE PROPERTY OF ACE ROTO-MOLD MFG., INC. AND SHALL NOT BE USED, DISCLOSED TO OTHERS, OR COPIED WITHOUT THE EXPRESSED WRITTEN CONSENT OF ACE ROTO-MOLD MFG., INC. ALL RIGHTS RESERVED.

VT0135-28

A



				DRAWN / DATE DHJ 1/25/05	MATERIAL HDPE OR EQUIVALENT REFERENCE MATERIAL DATA SHEET FOR SPECIFIC PROPERTIES.
A	NEW DRAWING FORMAT	11/1/05	NVE	APPRD. / DATE ADH 11/19/07	NOTES: 1. WHITE OR YELLOW COLOR 2. SHOT WEIGHT 45 LBS.
REV	DESCRIPTION	DATE	APPRD		
ALL DIMENSIONS ARE IN DECIMAL INCHES TOLERANCES UNLESS OTHERWISE SPECIFIED ± 1% @ 68° F				THIRD ANGLE PROJECTION ANSI 14.5M 	

ACE ROTO-MOLD
 A DIVISION OF DEN HARTOG INDUSTRIES, INC.
 4010 HOSPERS DRIVE S. BOX 425, HOSPERS, IOWA 51238-0421

CLIENT / DESCRIPTION		135 GALLON VERTICAL TANK
SCALE	N.S.	PART NO. VT0135-28