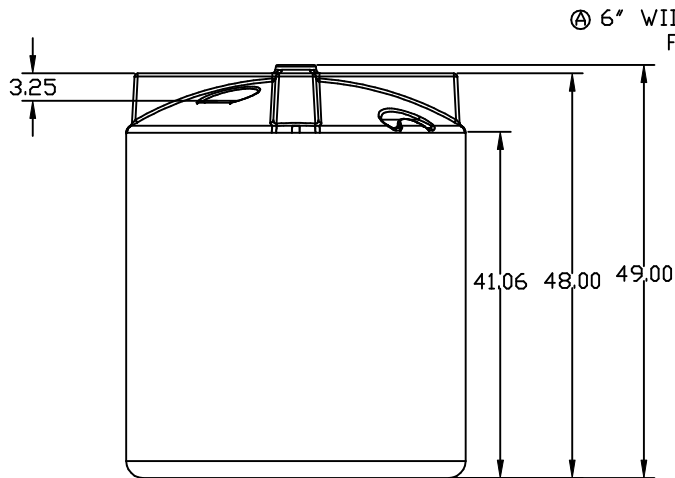
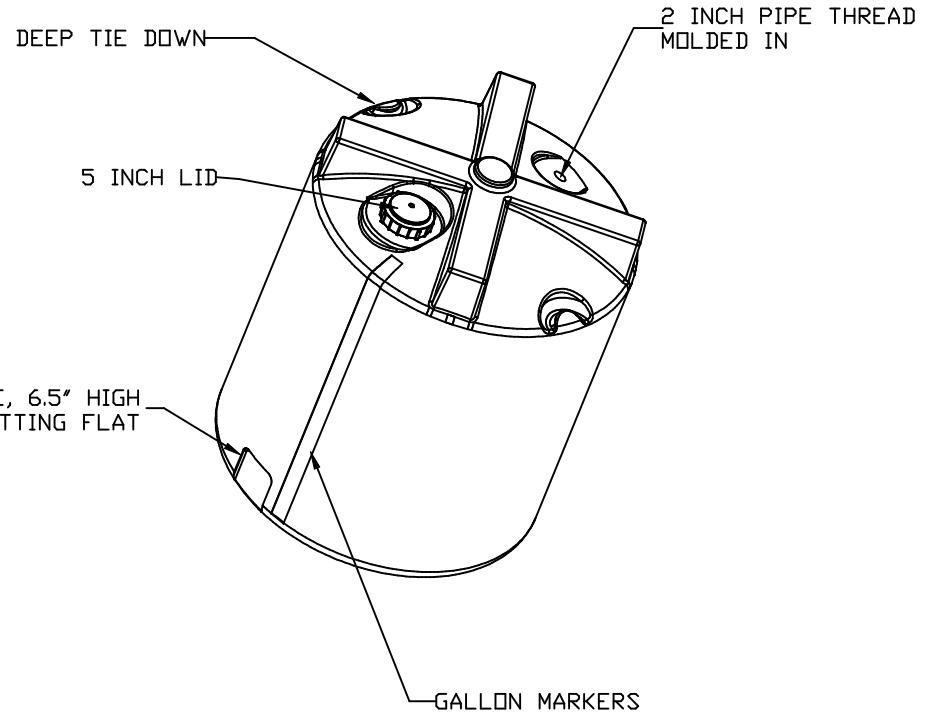
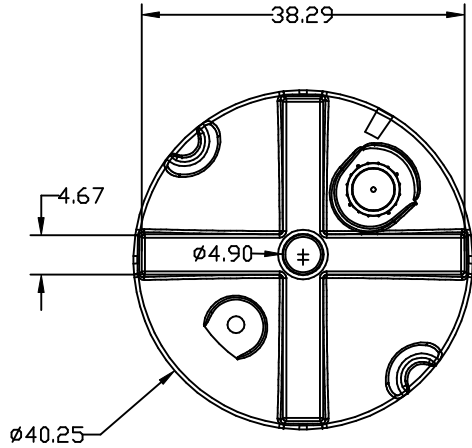




Copyright: All information furnished within this document, electronic file or design correspondence is the property of Den Hartog industries, Inc. and shall not be used, disclosed to others or copied without the expressed written consent of Den Hartog Industries, Inc.



				DRAWN / DATE NVE 6/28/05	MATERIAL
A	FLAT DIMENSIONS ADDED CCN 1701	ADH	8/18/08	APPRD. / DATE DHJ 6/28/05	HDPE OR EQUIVALENT REFERENCE MATERIAL DATA SHEET FOR SPECIFIC PROPERTIES.
REV	DESCRIPTION	DATE	APPRD		
ALL DIMENSIONS ARE IN DECIMAL INCHES TOLERANCES UNLESS OTHERWISE SPECIFIED ± 1% @ 68° F				THIRD ANGLE PROJECTION ANSI 14.5M 	NOTES: 1. NOM. WALL @ .190 2. WHITE COLOR 3. SHOT WEIGHT 56 LBS.

<p>ACE ROTO-MOLD A DIVISION OF DEN HARTOG INDUSTRIES, INC. 4010 HOSPERS DRIVE S. BOX 425, HOSPERS, IOWA 51238-0421</p>		CLIENT / DESCRIPTION
		210 GALLON VERTICAL TANK
SCALE	N.S.	PART NO. VT0210-40