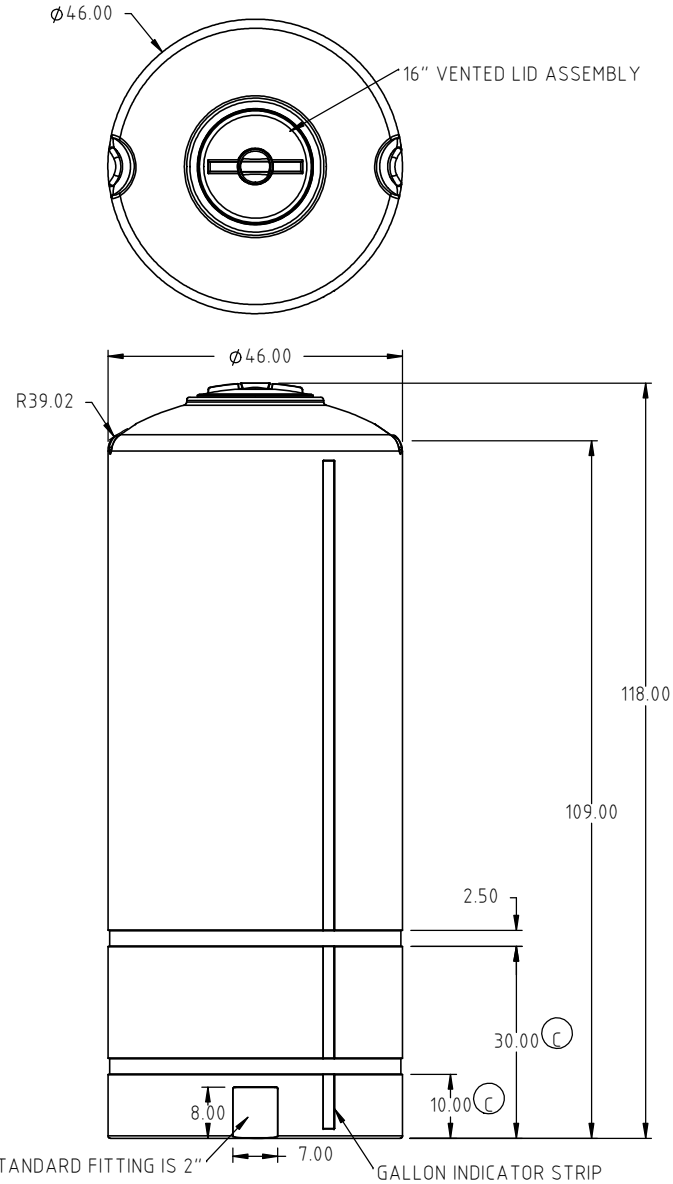


Copyright. All information furnished within this document, electronic file or design correspondence is the property of Den Hartog industries, Inc. and shall not be used, disclosed to others or copied without the expressed written consent of Den Hartog Industries, Inc.



STANDARD FITTING IS 2" GALLON INDICATOR STRIP

C	RIBS SHOWN ON PRINT. DRAWING TEMPLATE UPDATED.	ADH 1/2/15	2996	DRAWN / DATE	MATERIAL
B	UPDATED TOLERANCE	REH 3/12/09	1823	REH 4/24/01	10420
A	UPDATED SHOT WEIGHT	9/12/06		APPRD. / DATE	
REV	DESCRIPTION	BY / DATE	CCN	REH 4/24/01	
ALL DIMENSIONS ARE IN DECIMAL INCHES TOLERANCES UNLESS OTHERWISE SPECIFIED		THIRD ANGLE PROJECTION ANSI 14.5M		SHOT WEIGHT: 175.00 LBS	NOTES: 1.) 0.260 NOMINAL WALL
POLYETHYLENE		METAL DECIMAL ± .125" FRACTION ± 1/4" ANGLE ± 1°		SHIPPING WEIGHT: 177.00 LBS	
±1% @ 68°F				FINISH:	



Den Hartog
INDUSTRIES, INC.

Ace Roto-Mold Injection Molding Blow Molding Sowjoy

4010 HOSPERS DRIVE S. BOX 425, HOSPERS, IOWA 51238-0425

DESCRIPTION		ACE 800 GALLON VERTICAL TANK	
SCALE	N.S.	PART NO.	VT0800-46