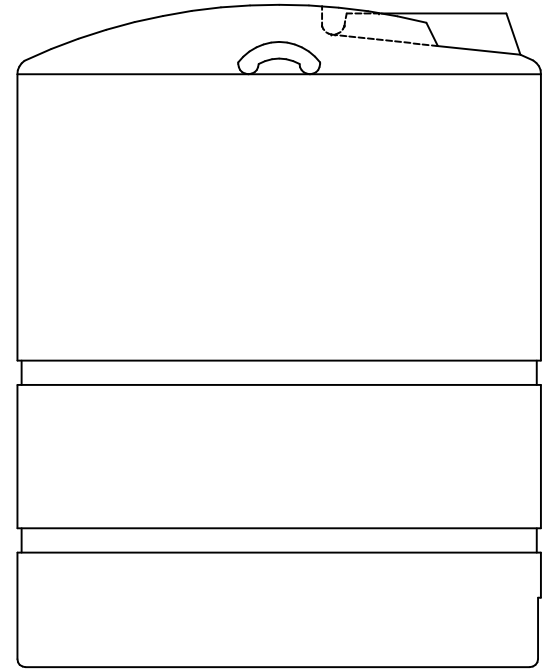
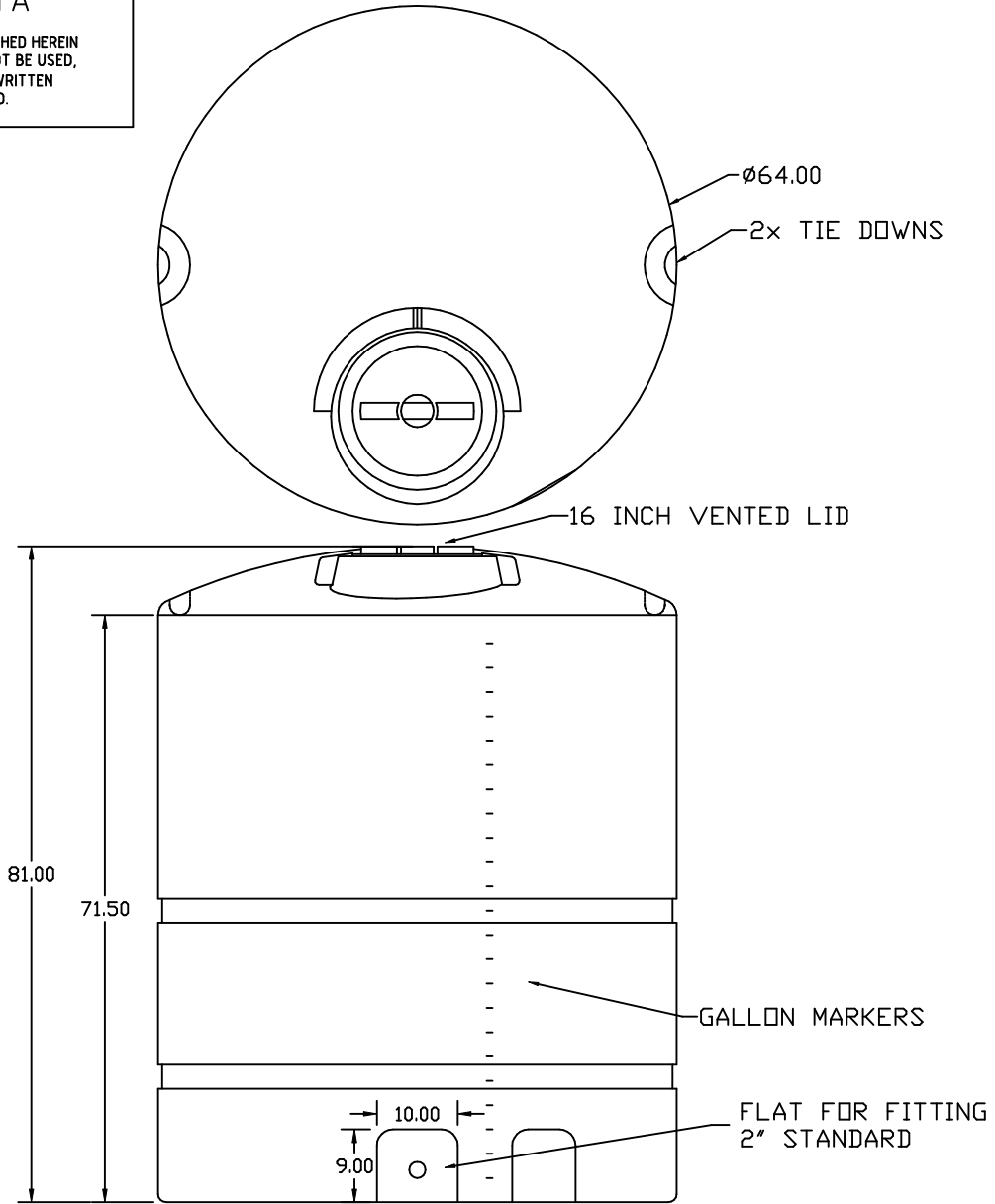


VT1000-64

PROPRIETARY DATA

PROPERTY OF ACE ROTO-MOLD MFG., INC. INFORMATION FURNISHED HEREIN IS THE PROPERTY OF ACE ROTO-MOLD MFG., INC. AND SHALL NOT BE USED, DISCLOSED TO OTHERS, OR COPIED WITHOUT THE EXPRESSED WRITTEN CONSENT OF ACE ROTO-MOLD MFG., INC. ALL RIGHTS RESERVED.



REV	DESCRIPTION	DATE APPRD.
ALL DIMENSIONS ARE IN DECIMAL INCHES TOLERANCES UNLESS OTHERWISE SPECIFIED ± 1% @ 68° F		

DRAWN / DATE DHJ 11/11/03
APPRD. / DATE ADH 11/19/07
THIRD ANGLE PROJECTION ANSI 14.5M

MATERIAL / SHOT WEIGHT POLYETHYLENE 250 LBS.
NOTES: .31 NOM. WALL

 Ace Roto-Mold A DIVISION OF DEN HARTOG INDUSTRIES, INC.	
CLIENT / DESCRIPTION 1000 GALLON VERTICAL	
SCALE NONE	PART NO. VT1000-64