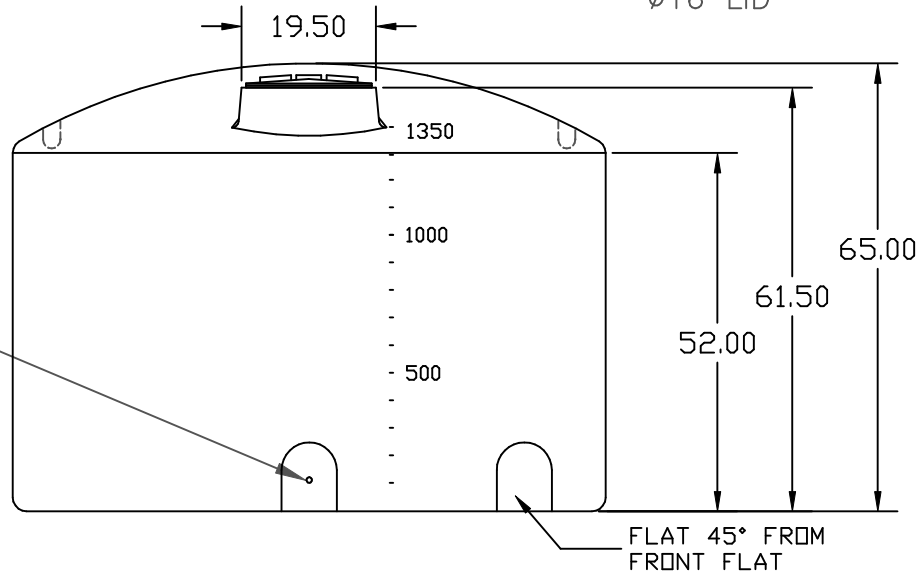
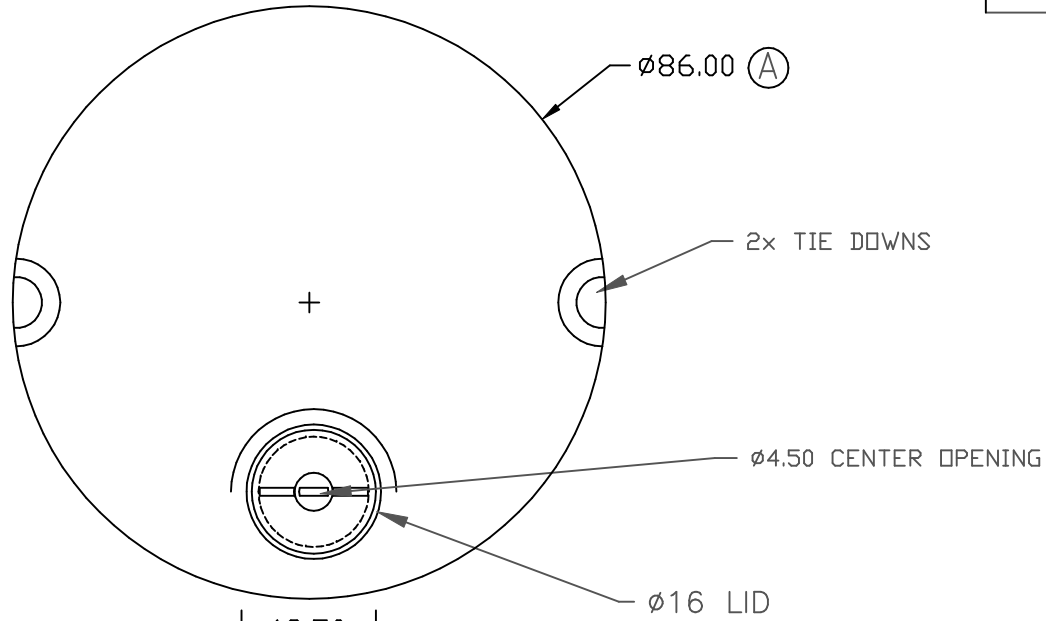



PROPRIETARY DATA

PROPERTY OF DEN HARTOG INDUSTRIES, INC. INFORMATION FURNISHED HEREIN IS THE PROPERTY OF DEN HARTOG INDUSTRIES, INC. AND SHALL NOT BE USED, DISCLOSED TO OTHERS, OR COPIED WITHOUT THE EXPRESSED WRITTEN CONSENT OF DEN HARTOG INDUSTRIES, INC. ALL RIGHTS RESERVED.

VT1350-86

A



				DRAWN / DATE NVE 6/16/05		MATERIAL HDPE OR EQUIVALENT REFERENCE MATERIAL DATA SHEET FOR SPECIFIC PROPERTIES.		 ACE ROTO-MOLD A DIVISION OF DEN HARTOG INDUSTRIES, INC. 4010 HWY. 60 BLVD., BOX 425, HOSPER, IOWA 51238	
A	DIAMETER WAS 85, PN WAS VT1350-85	7/31/06	NVE	APPRD. / DATE DHJ 6/21/05			CLIENT / DESCRIPTION 1350 GALLON VERTICAL TANK		
REV	DESCRIPTION	DATE	APPRD			NOTES: 1. .240 THICK AT FITTING 2. WHITE OR COLOR 3. SHOT WEIGHT 228 LBS.		SCALE N.S.	PART NO. VT1350-86
ALL DIMENSIONS ARE IN DECIMAL INCHES TOLERANCES UNLESS OTHERWISE SPECIFIED $\pm 1\% @ 68^\circ F$				THIRD ANGLE PROJECTION ANSI 14.5M 