

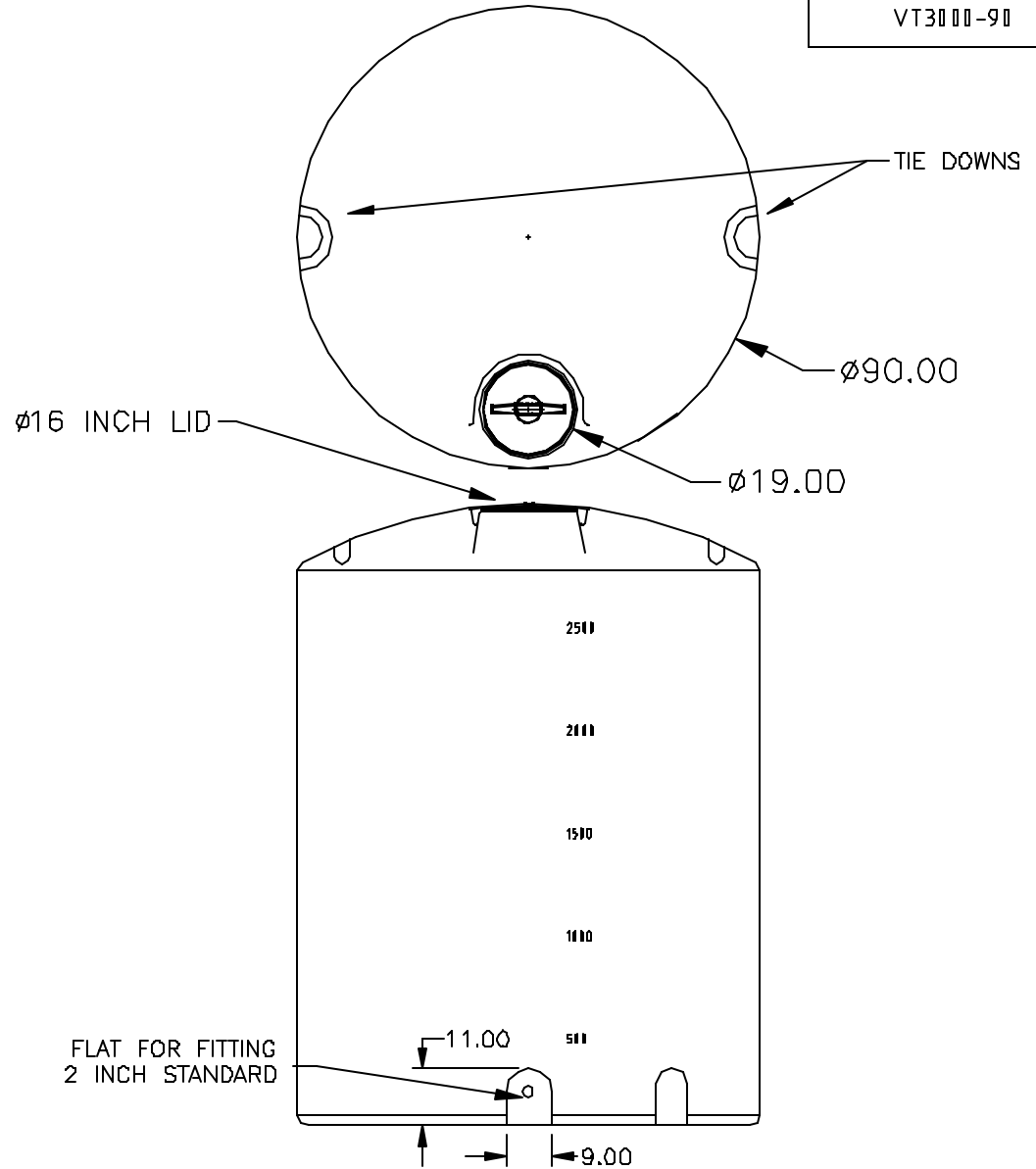
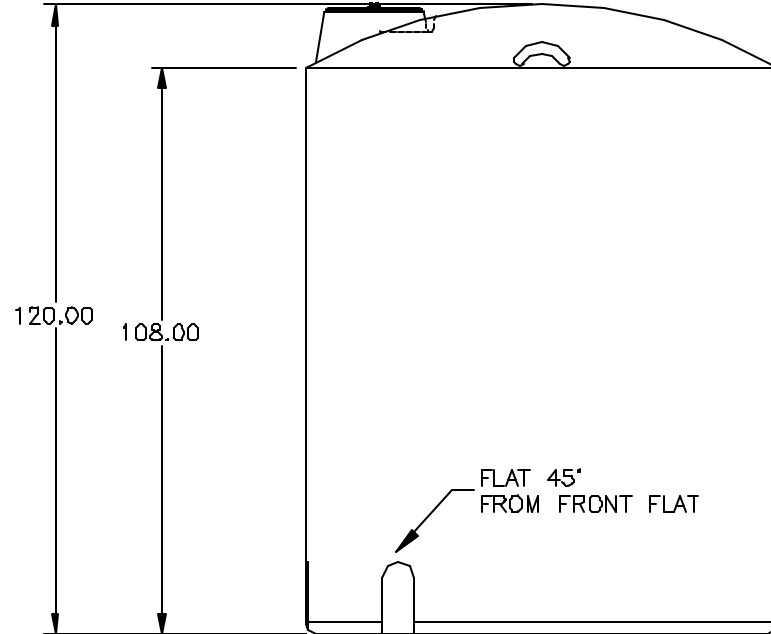
PROPRIETARY DATA


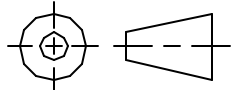
PROPERTY OF ACE ROTO-MOLD MFG., INC. INFORMATION FURNISHED HEREIN IS THE PROPERTY OF ACE ROTO-MOLD MFG., INC. AND SHALL NOT BE USED, DISCLOSED TO OTHERS, OR COPIED WITHOUT THE EXPRESSED WRITTEN CONSENT OF ACE ROTO-MOLD MFG., INC. ALL RIGHTS RESERVED.

VT3000-90

FEATURES

1. HEAVY DUTY POLYETHYLENE CONSTRUCTION
2. 1 PIECE ROTATIONALLY MOLDED
3. TRANSLUCENT
4. FDA APPROVED RESIN
5. CALIBRATED IN GALLONS
6. THREE YEAR WARRANTY
7. UV STABILIZED
8. SPECIFIC GRAVITY RATING IS 1.71



		DRAWN / DATE NVE 6/11/15		MATERIAL		 <b>Ace Roto-Mold</b> A DIVISION OF BEN HARTOG INDUSTRIES, INC. 4018 HWY. 60 BLVD., BOX 421, HOSPERS, IOWA 51238	
		APPRD. / DATE DHJ 6/21/15		HDPE OR EQUIVALENT REFERENCE MATERIAL DATA SHEET FOR SPECIFIC PROPERTIES.			
REV	DESCRIPTION	DATE	APPRD.	THIRD ANGLE PROJECTION ANSI 11.5-1		CLIENT / DESCRIPTION 3001 GALLON VERTICAL TANK	
ALL DIMENSIONS ARE IN DECIMAL INCHES TOLERANCES UNLESS OTHERWISE SPECIFIED $\pm 1\% @ 68^\circ F$						NOTES: 1. .491 THICK AT FITTING 2. BLUE, GREEN, YELLOW, BLACK, OR WHITE COLOR 3. SHOT WEIGHT 551 LBS.	
				SCALE N.S.		PART NO. VT3000-90	