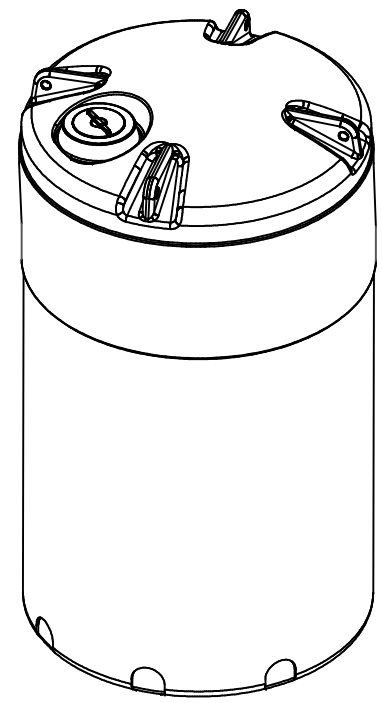
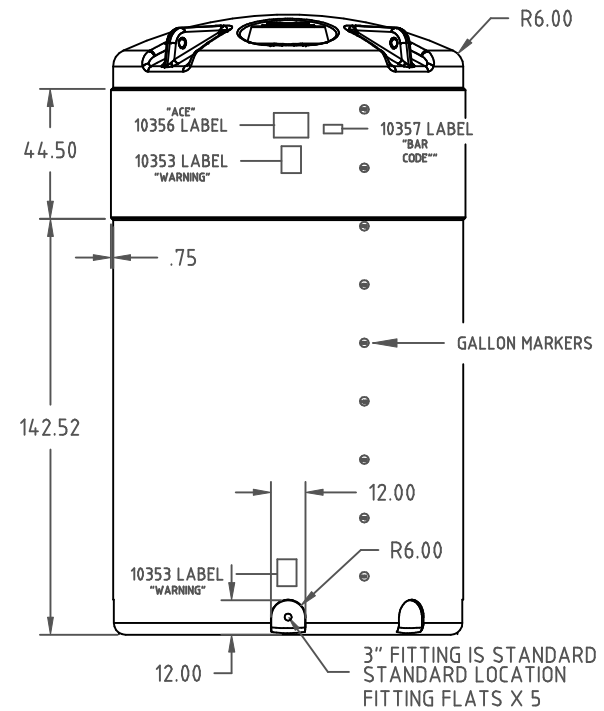
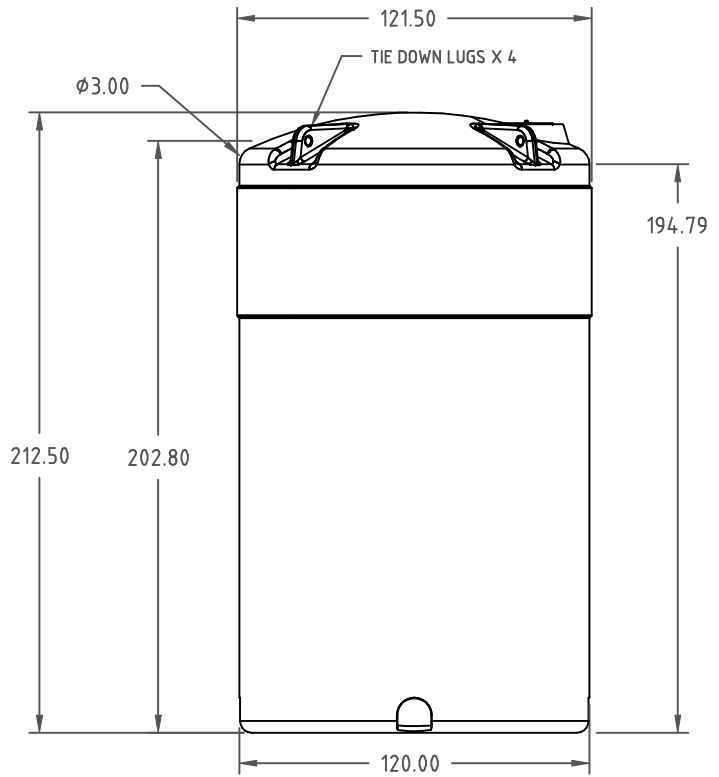
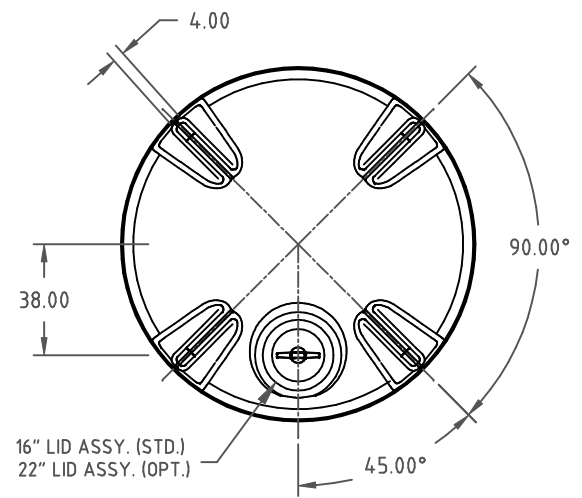


Copyright. All information furnished within this document, electronic file or design correspondence is the property of Den Hartog Industries, Inc. and shall not be used, disclosed to others or copied without the expressed written consent of Den Hartog Industries, Inc.



REV	DESCRIPTION	BY / DATE	CCN
A	CHANGED STANDARD FITTING FROM 2TO 3"	DHJ 4/1/10	2013
ALL DIMENSIONS ARE IN DECIMAL INCHES TOLERANCES UNLESS OTHERWISE SPECIFIED		THIRD ANGLE PROJECTION ANSI 14.5M	
POLYETHYLENE ±1% @ 68° F		METAL DECIMAL ± .125" FRACTION ± 1/4" ANGLE ± 1°	

DRAWN / DATE	MATERIAL
DHJ/8/1/09	1.)HDPE OR EQUIVALENT
APPRD. / DATE	NOTES: 1. 1.23 THICK AT FLAT
REH / 8/26/09	
SHOT WEIGHT: 2350 LBS	
SHIPPING WEIGHT: 2352 LBS	
FINISH:	

Den Hartog

INDUSTRIES, INC.

Ace Roto-Mold Injection Molding Blow Molding SowJoy
4010 HOSPERS DRIVE S. BOX 425, HOSPERS, IOWA 51238-0425

DESCRIPTION		9500 GALLON VERTICAL TANK	
SCALE	N.S.	PART NO.	VT9500-120