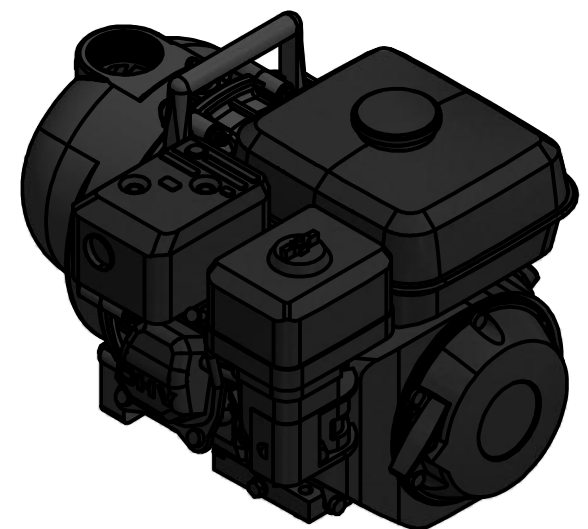
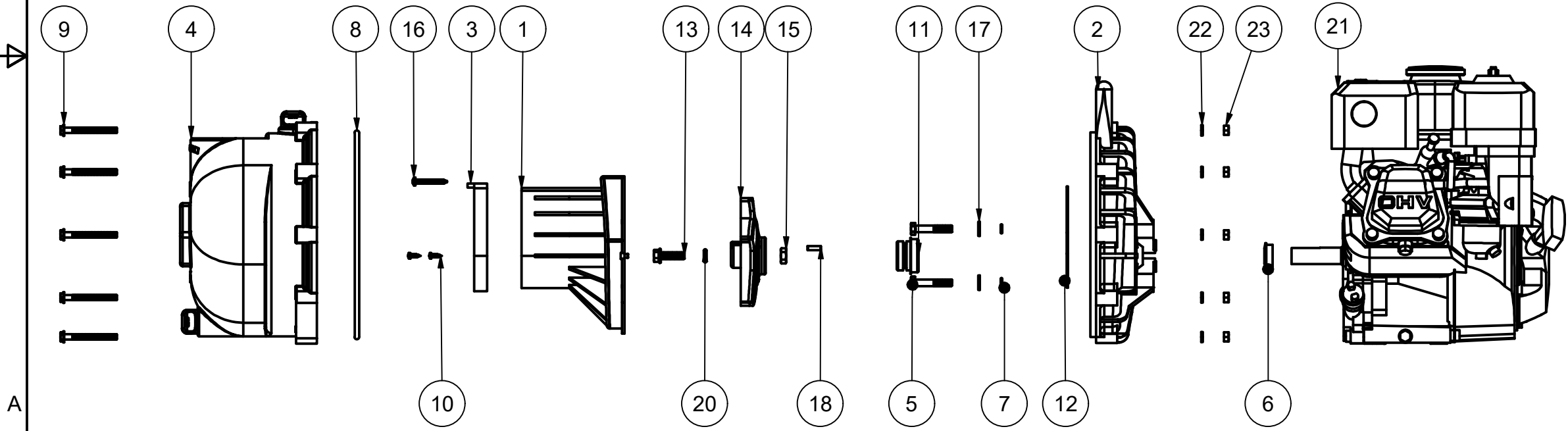



Parts List			
ITEM	QTY	PART NUMBER	DESCRIPTION
1	1	12702A	2" POLY PUMP VOLUTE
2	1	12703A	POLY PUMP REAR BRACKET
3	1	12705V	PUMP CHECKVALVE, FKM
4	1	12712AVP	2" POLY PUMP BODY- FKM
5	4	12715A	5/16-24 X 1 3/4" HHCS WITH TORQ-PATCH
6	1	12716	PUMP SLINGER
7	4	12717V	#11 O'RING, FKM
8	1	12719AV	#375 O'RING, FKM
9	10	12720	1/4-20 X 2 1/2" SL IND HWHS
10	2	12725	#6 X 1/2" PPH SMS
11	1	12733V	MECH SEAL ASSY - FKM
12	1	12754V	O'RING SEGMENT
13	1	12765A	5/16-24 X 1 1/8" HFS
14	1	12772	IMPELLER
15	1	12775A	7/16-14 HEX NUT
16	1	12900	#10 X 1 1/2" PPH SMS
17	4	12901	5/16" FLAT WASHER
18	1	12902A	3/16" SQ. X 5/8" KEY
19	1	12910	DECAL (N/S)
20	1	A204V	#204 O'RING, FKM
21	1	E5H	5.5 HP HONDA GX160
22	10	V07018	1/4" LOCKWASHER
23	10	V07019	1/4-20 HEX NUT



THIS DRAWING AND ALL INFORMATION CONTAINED THEREON ARE THE EXCLUSIVE PROPERTY OF BANJO CORPORATION.

UNLESS SPECIFICALLY NOTED, THIS DRAWING AND ITEMS SHOWN ON THIS DRAWING ARE SUBJECT TO CHANGE AT ANY TIME.



BANJO CORPORATION

150 BANJO DRIVE, CRAWFORDSVILLE, IN 47933
 WEB SITE: WWW.BANJOCORP.COM
 E-MAIL: BANJOSALES@IDEXCORP.COM

DESCRIPTION
2" POLY PUMP W/ 5.5 HP HONDA, FKM

PART NUMBER
200PH-5V