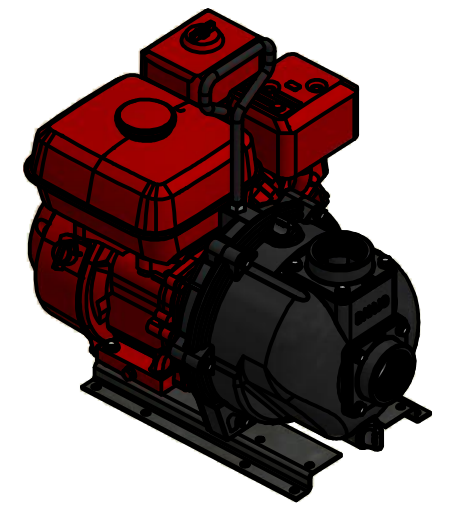



Parts List			
ITEM	QTY	PART NUMBER	DESCRIPTION
1	1	12705	PUMP CHECKVALVE, EPDM
2	13	12715A	5/16-24 X 1 3/4" HHCS WITH TORQ-PATCH
3	1	12716	PUMP SLINGER
4	4	12717	#11 O'RING, EPDM
5	1	12719A	#375 O'RING, EPDM
6	1	12733V	MECH SEAL ASSY - FKM
7	1	12765A	5/16-24 X 1 1/8" HFS
8	8	12901	5/16" FLAT WASHER
9	1	12902A	3/16" SQ. X 5/8" KEY
10	2	13777	3/4" DRAIN PLUG
11	2	13778	#119 O'RING, EPDM
12	1	15022	2" PUMP HANDLE
13	1	15702	2" CI PUMP VOLUTE
14	1	15703	2" CI REAR BRACKET
15	1	15712	2" CI PUMP BODY ASSY
16	1	15751	REAR BRACKET SHIM
17	1	15773	5 VANE IMPELLER, TRIMMED
18	1	17010	1/2-13 HEX NUT
19	2	17033	Z-RAIL
20	4	17034	5/16-18 X 1-1/2" HHCS
21	1	A204	#204 O'RING, EPDM
22	1	E5HE	5.5 HP HONDA, ELEC. START
23	13	V10118	5/16" LOCKWASHER
24	4	V10119	5/16" HEX NUT





BANJO CORPORATION

150 BANJO DRIVE, CRAWFORDSVILLE, IN 47933
 WEB SITE: WWW.BANJOCORP.COM
 E-MAIL: BANJOSALES@IDEXCORP.COM

DESCRIPTION
2" CI PUMP W/ 5.5HP HONDA W/ ELEC. START

PART NUMBER
222PIH5E

THIS DRAWING AND ALL INFORMATION CONTAINED THEREON ARE THE EXCLUSIVE PROPERTY OF BANJO CORPORATION.

UNLESS SPECIFICALLY NOTED, THIS DRAWING AND ITEMS SHOWN ON THIS DRAWING ARE SUBJECT TO CHANGE AT ANY TIME.