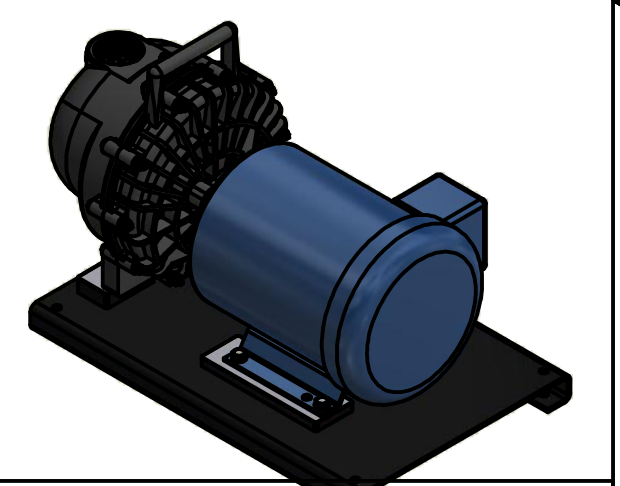


Parts List			
ITEM	QTY	PART NUMBER	DESCRIPTION
1	1	12046	56C ADAPTER PLATE
2	1	12702A	2" POLY PUMP VOLUTE
3	1	12703A	POLY PUMP REAR BRACKET
4	1	12705V	PUMP CHECKVALVE, FKM
5	1	12712AVP	2" POLY PUMP BODY- FKM
6	4	12717V	#11 O'RING, FKM
7	1	12719AV	#375 O'RING, FKM
8	10	12720	1/4-20 X 2 1/2" SL IND HWHS
9	2	12725	#6 X 1/2" PPH SMS
10	1	12733V	MECH SEAL ASSY - FKM
11	1	12754V	O'RING SEGMENT
12	1	12765A	5/16-24 X 1 1/8" HFS
13	1	12772	IMPELLER
14	1	12775A	7/16-14 HEX NUT
15	1	12900	#10 X 1 1/2" PPH SMS
16	4	12901	5/16" FLAT WASHER
17	1	12902A	3/16" SQ. X 5/8" KEY
18	1	12910	DECAL (N/S)
19	4	17029	5/16-18 X 1.75" HHCS
20	1	17701	BASE PLATE
21	8	17704	3/8-16 X 1 1/4" HHCS
22	1	A204V	#204 O'RING, FKM
23	1	BEM51-182CZ	5 HP MOTOR, 1 PHASE
24	10	V07018	1/4" LOCKWASHER
25	10	V07019	1/4-20 HEX NUT
26	8	V20018	3/8" LOCKWASHER



THIS DRAWING AND ALL INFORMATION CONTAINED THEREON ARE THE EXCLUSIVE PROPERTY OF BANJO CORPORATION.

UNLESS SPECIFICALLY NOTED, THIS DRAWING AND ITEMS SHOWN ON THIS DRAWING ARE SUBJECT TO CHANGE AT ANY TIME.

BANJO CORPORATION

150 BANJO DRIVE, CRAWFORDSVILLE, IN 47933
 WEB SITE: WWW.BANJOCORP.COM
 E-MAIL: BANJOSALES@IDEXCORP.COM

DESCRIPTION
2" POLY PUMP W/ 5HP ELEC. MTR.

PART NUMBER
234PPE51V