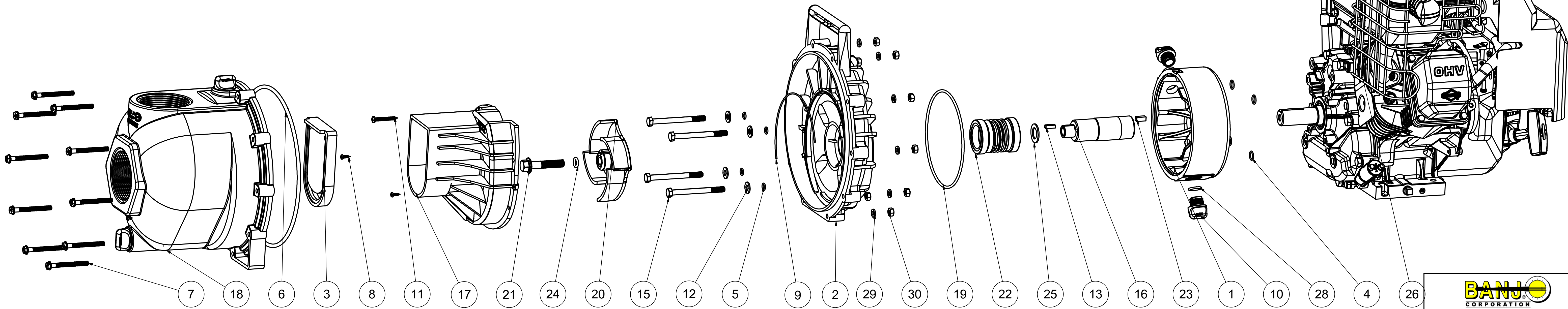


Parts List			
ITEM	QTY	PART NUMBER	DESCRIPTION
1	1	12201W	3" WET SEAL RESERVOIR
2	1	12703AW	3" W.S. REAR BRACKET
3	1	12705	PUMP CHECKVALVE, EPDM
4	4	12709	#13 O-RING, EPDM
5	4	12717	#11 O-RING, EPDM
6	1	12719A	#375 O-RING, EPDM
7	10	12720	1/4-20 X 2 1/2" SL IND HWHS
8	2	12725	#6 X 1/2" PPH SMS
9	1	12754	O-RING SEGMENT
10	2	12777	1/2" DRAIN PLUG
11	1	12900	#10 X 1 1/2" PPH SMS
12	4	12901	5/16" FLAT WASHER
13	1	12902A	3/16" SQ. X 5/8" KEY
14	1	12910	PUMP DECAL (N/S)
15	4	13034	5/16-24 X 3 1/2" HHCS
16	1	13155	ADAPTER SHAFT
17	1	13702	3" POLY PUMP VOLUTE
18	1	13712	3" POLY PUMP BODY ASSY.
19	1	13719	#256 O-RING, EPDM
20	1	13772	3" POLY PUMP IMPELLER
21	1	14766	7/16-20 X 2 1/2" HFS
22	1	15035E	MECH. SEAL ASSY, EPDM
23	1	16901	1/4" SQ. X 3/4" KEY
24	1	A204	#204 O-RING, EPDM
25	1	CV10175	GASKET
26	1	E11PRO100E	11 HP B&S, Ø1" SHAFT, ELEC. START
27	1	KK-57	WET SEAL WARNING TAG (N/S)
28	2	UV15163	#114 O-RING, EPDM
29	10	V07018	1/4" LOCKWASHER
30	10	V07019	1/4-20 HEX NUT



THIS DRAWING AND ALL INFORMATION CONTAINED THEREON ARE THE EXCLUSIVE PROPERTY OF BANJO CORPORATION.
UNLESS SPECIFICALLY NOTED, THIS DRAWING AND ITEMS SHOWN ON THIS DRAWING ARE SUBJECT TO CHANGE AT ANY TIME.

BANJO CORPORATION
150 BANJO DRIVE, CRAWFORDSVILLE, IN 47933
WEB SITE: WWW.BANJOCORP.COM
E-MAIL: BANJOSALES@IDEXCORP.COM

DESCRIPTION
3" POLY WET SEAL PUMP W/ 11HP B&S
PART NUMBER
300P11PROW