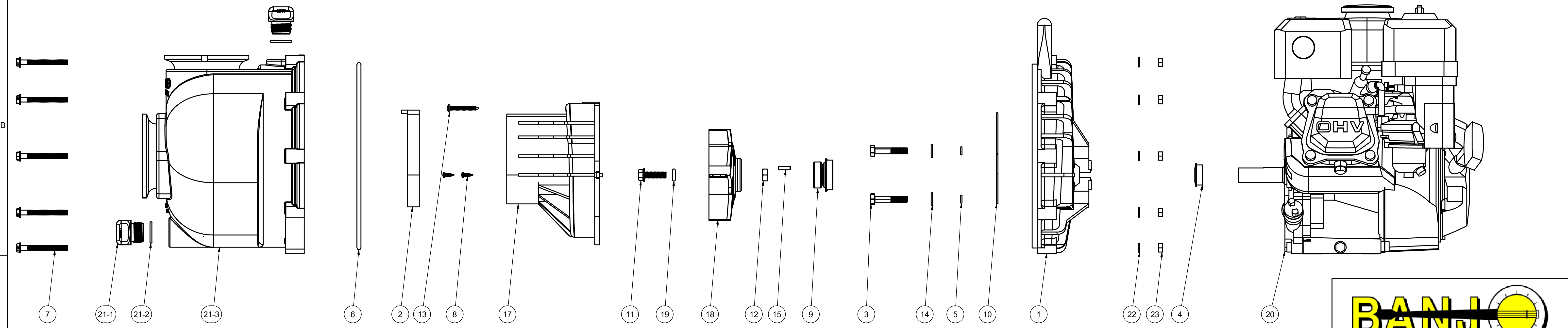


PARTS LIST			
ITEM	QTY	PART NUMBER	DESCRIPTION
1	1	12703A	POLY PUMP REAR BRACKET
2	1	12705	PUMP CHECKVALVE, EPDM
3	4	12715A	5/16-24 X 1 3/4" HHCS WITH TORQ-PATCH
4	1	12716	PUMP SLINGER
5	4	12717	AS568A -011 O-RING, EPDM
6	1	12719A	AS568A -375 O-RING, EPDM, BLACK
7	10	12720	1/4-20 X 2 1/2" SL IND HWHS
8	2	12725	#6 X 1/2" PPH SMS
9	1	12733	MECHANICAL SEAL ASSY
10	1	12754	O-RING SEGMENT
11	1	12765A	5/16-24 X 1 1/8" HFS
12	1	12775A	7/16-14 HEX NUT
13	1	12900	#10 X 1 1/2" PPH SMS
14	4	12901	5/16" FLAT WASHER
15	1	12902A	3/16" SQ. X 5/8" KEY
16	1	12910	PUMP DECAL (N/S)
17	1	13702	3" POLY PUMP VOLUTE
18	1	13771	3" POLY PUMP TRIMMED IMPELLER
19	1	A204	AS568A -204 O-RING, EPDM, BLACK
20	1	E6H	6.5 HP HONDA
21	1	M13712	3" MNFLD POLY PUMP BODY ASSY.
21-1	2	13777	3/4" DRAIN PLUG
21-2	2	13778	AS568A -119 O-RING, EPDM, BLACK
21-3	1	M13712Y	3" MNFLD POLY PUMP BODY ASSY.
22	10	V07018	1/4" LOCKWASHER
23	10	V07019	1/4-20 HEX NUT



THIS DRAWING AND ALL INFORMATION CONTAINED THEREON ARE THE EXCLUSIVE PROPERTY OF BANJO CORPORATION.

UNLESS SPECIFICALLY NOTED, THIS DRAWING AND ITEMS SHOWN ON THIS DRAWING ARE SUBJECT TO CHANGE AT ANY TIME.

BANJO CORPORATION  
 150 BANJO DRIVE, CRAWFORDSVILLE, IN 47933  
 WEB SITE: WWW.BANJO.CORP.COM  
 E-MAIL: BANJOSALES@DEXCORP.COM

DESCRIPTION  
**3" POLY PUMP W/ 6HP HONDA**

PART NUMBER  
**M300PH6**