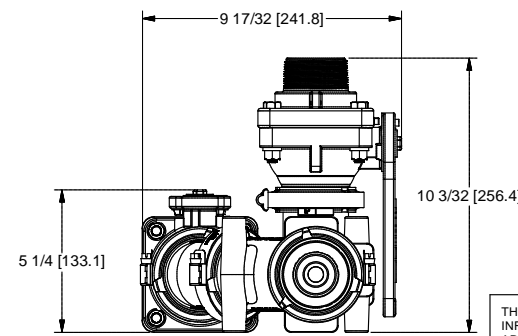
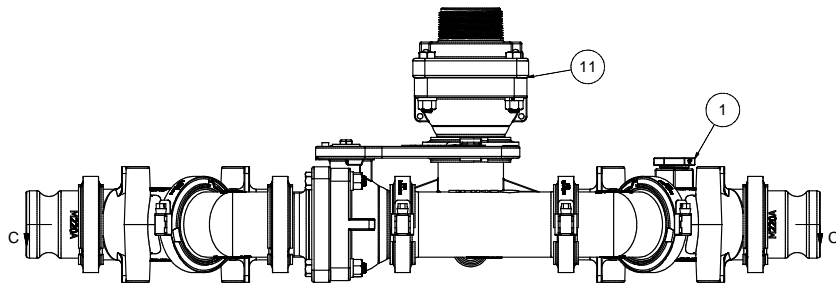
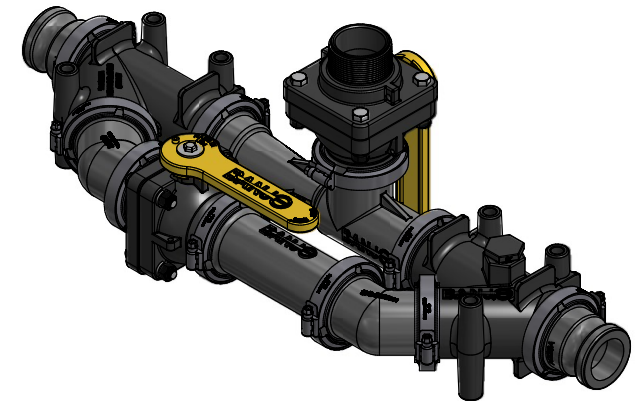
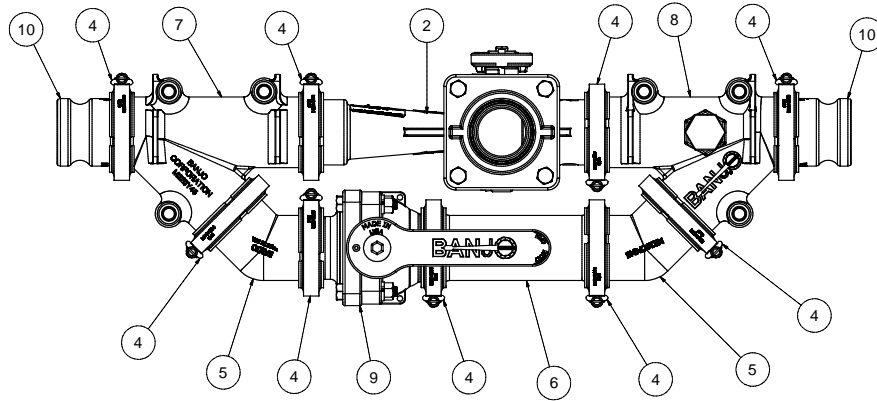


KIT CONTAINS ALL ITEMS SHOWN.

ASSEMBLY IS REQUIRED.

Parts List			
ITEM	QTY	PART NUMBER	DESCRIPTION
1	1	PLUG075	3/4" PIPE PLUG
2	1	MHV220A	2" FP VENTURI ASSY
3	10	M221G	2" FP Manifold Gasket w/ Rib
4	10	FC220	2" FP HI TORQUE CLAMP
5	2	M220CPG45	2" FP MANIFOLD 45° COUPLING
6	1	M220CPG6	2" FP MANIFOLD COUPLING
7	1	M220Y45	2" FP Manifold Wye 45
8	1	M220YG45	2" FP Manifold Wye 45 w/ Gage Port
9	1	MVS220CF	2" Stubby Valve
10	2	M220A	2" Full Port Manifold Flange X 2" Male Coupler
11	1	MVSMT220FP	2" FP MNFLD X 2" MALE NPT STUBBY VALVE



THIS DRAWING AND ALL INFORMATION CONTAINED THEREON ARE THE EXCLUSIVE PROPERTY OF BANJO CORPORATION.

UNLESS SPECIFICALLY NOTED, THIS DRAWING AND ITEMS SHOWN ON THIS DRAWING ARE SUBJECT TO CHANGE AT ANY TIME.



BANJO CORPORATION
 150 BANJO DRIVE, CRAWFORDSVILLE, IN 47933
 WEB SITE: WWW.BANJOCORP.COM
 E-MAIL: SALES1@BANJOCORP.COM

DESCRIPTION
2" FP Manifold Inductor System

PART NUMBER
MIS220AAK